



# 'Formatta' Sensor Tap Series

## Models RBA1211-600 RBA1211-613



### Materials & Features

Constructed from heavy duty DR brass with a polished chrome finish and an above bench solenoid for ease of maintenance, the Formatta sensor tap is suitable for public washrooms, offices, schools, shopping centres, stadiums, airports & accessible installations. The sensor detects the presence of the user's hand(s) in the field directly in front of the sensor in the water stream - this activates the flow of water until the hands are removed from the field.

### Technical Detail

Inlet Connection:	DN15mm BSP (G½B)
Flow Time:	On demand
Max. Flow Time:	60 seconds
Flow Rate:	6 Star, 5L/m
Water Pressure:	150 – 500 kPa
Water Supply:	Single temp (Max 50°C)
Electrical Supply:	Mains power (RBA1211-600) 4x AA batteries (RBA1211-613)
Sensor:	IR (avoid highly reflective surfaces/direct light)

### Installation

RBA1211-Series requires a bench cut out of Ø28-32mm with a maximum bench thickness of 38mm. A mains power GPO should also be provided by others for the RBA1211-600.

### Available Models

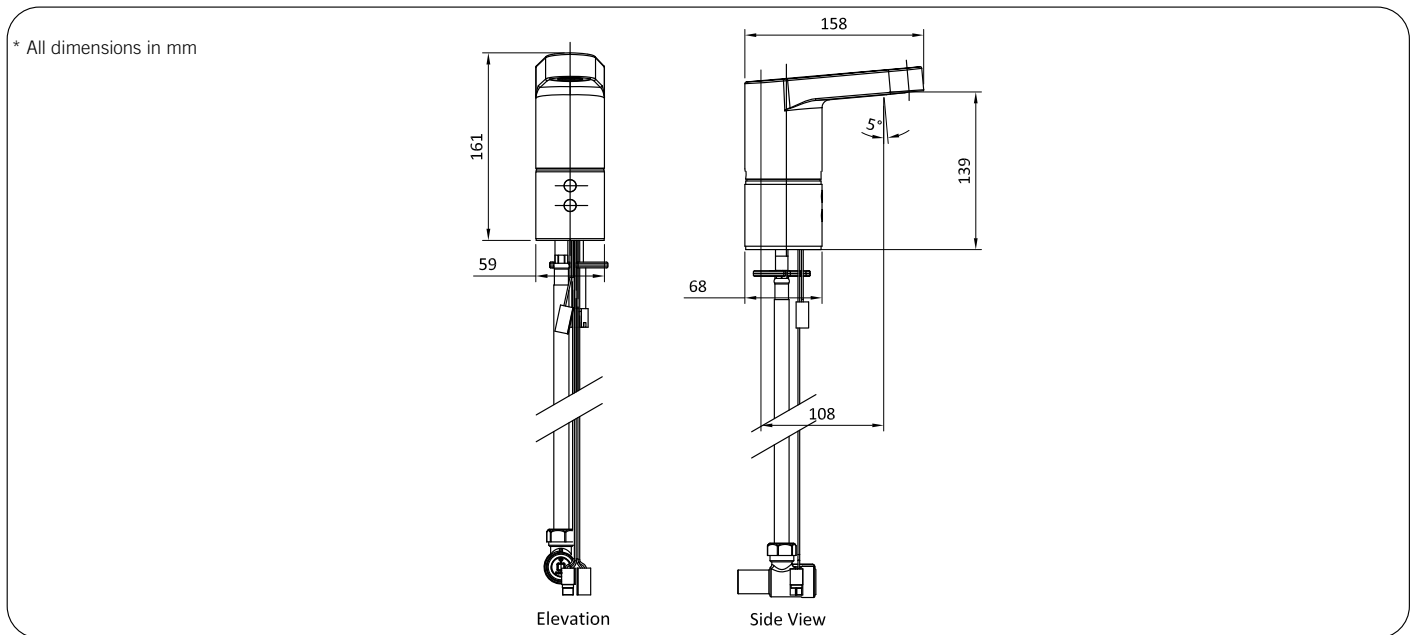
<b>RBA1211-600</b>	'Formatta' Sensor Tap, 6 Star, 240V
<b>RBA1211-613</b>	'Formatta' Sensor Tap, 6 Star, Battery Operated

### Related Products

<b>RBA1211-600-001</b>	20 second run-time sensor tap, 240V
------------------------	-------------------------------------

**Note:** For Australia, Installation shall be in accordance with the PCA [Plumbing Code of Australia] and any relevant local authority requirements.

**Important:** Installation instructions and current rough-in details should be furnished with each fixture. Do not rough in without certified dimensions. Dimensions are subject to manufacturer's tolerance of +/-10mm.



As improvements in the design and performance of RBA products are continuous, specifications may be subject to change without notice. The illustrations and descriptions herein are applicable to production as of the date of this Technical Data Sheet. Revised 06/20 © 2020 by RBA Group TD/Model RBA1211-600/0620