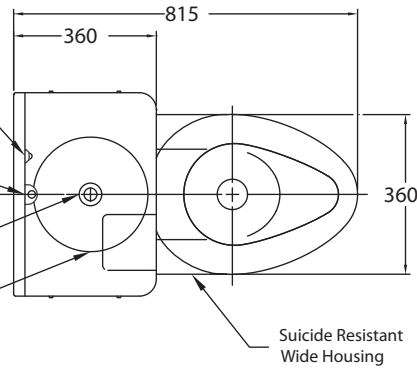


Hemispherical Pushbutton  
for Single Temperature  
Air-Control Metering Valve

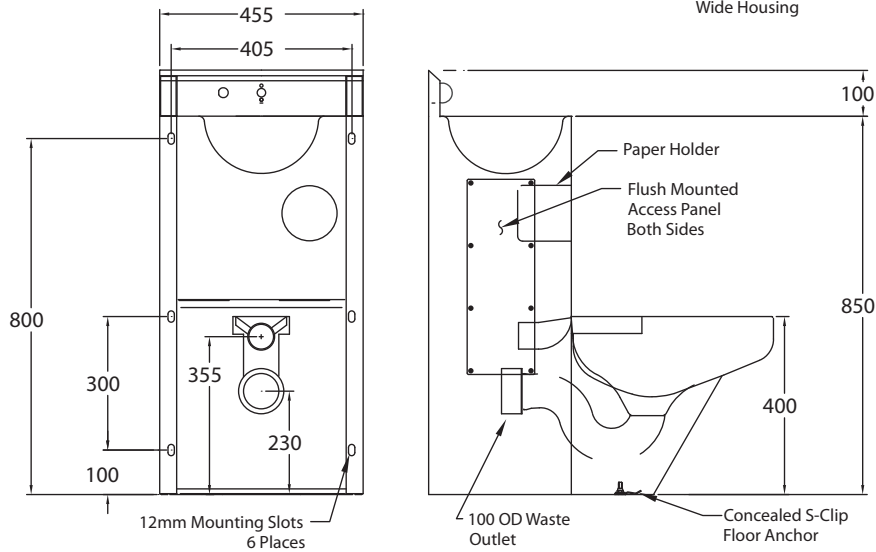
Hemispherical Bubbler

53mm Diam Punching  
For Drop in Waste by Others

292mm Round Bowl



Suicide Resistant  
Wide Housing



12mm Mounting Slots  
6 Places

Paper Holder  
Flush Mounted  
Access Panel  
Both Sides

100 OD Waste  
Outlet

Concealed S-Clip  
Floor Anchor



## INSTALLATION INSTRUCTIONS

### MODEL RBA8857-100 SUICIDE RESISTANT COMBY UNIT



For further information,  
contact the nearest RBA Group office:  
SYDNEY • MELBOURNE • BRISBANE • PERTH  
Phone: 1300 788 778 • Fax: 1300 788 878  
info@rba.com.au • www.rba.com.au

## DESCRIPTION

Model A8857 is a suicide resistant straight combination toilet/basin unit with "P" trap outlet. Unit is manufactured from heavy gauge type 304 stainless steel, with all exposed surfaces polished to a satin finish. Unit is supplied with hemispherical bubbler, vandal resistant push button and single temp Air Control valve for basin water. Flushing device is supplied by others. The cabinet has flush fitting access panels on both sides, secured with security screws, and cabinet can be either front or rear fixed. Fixings are provided for rear fixing, and an "S" clip is provided to secure the unit to the floor. A recessed toilet paper holder is provided in the front of the cabinet. A separate toilet seat is not required, as the pan seat is finished with a hygienic high polish finish. Supplied in "P" trap configuration, it can be converted within the cabinet to "S" trap using a short elbow and pipe supplied by others.

## COMPONENTS SUPPLIED

Combination toilet/ basin unit.  
Self closing single temperature basin Air Control Valve  
Domed hemispherical bubbler outlet.  
Pneumatic push button  
Threaded rod for rear fixing  
Floor "S" clip  
Access panels (2) with security fixings  
"Torx" security bit

## COMPONENTS SUPPLIED BY OTHERS

Toilet flushing device (Flush Valve or Cistern)  
Front fixings (If required)  
Waste pipe and fittings  
Flush pipe and seal  
Basin waste outlet

## FLUSHING DEVICE

The pan requires a 6 litre flush, carries both WELS and Watermark certification, and for best results should be combined with a Geberit concealed "in wall" cistern, or mains pressure flush valve. If departure from this requirement is necessary, consult RBA Group before selecting a device.

## TECHNICAL DATA

### BASIN:

Inlet	1/2" BSP
Max pressure	600 kPa
Min pressure	200 kPa
Flow rate (bubbler)	2 l/m
Max temp	50°C
For more information	see "Air Control Valve Installation Instructions"
Waste Outlet	Basin will accept 40mm plug & waste by others.

### PAN:

Inlet	Standard 55mm
Outlet	"P" trap 100mm waste outlet
Flush Volume	6/3 litres

## INSTALLATION

1. Installation must comply with all statutory and local authority requirements.
2. With the unit in position mark fixing points, waste outlet, flush pipe, and frame of unit.
3. Drill fixing holes in or through wall as required, and fix the Air Control Valve either on the wall face within the cabinet, or in the duct behind, if available.
4. Fix the unit to the wall and make the necessary waste and flush pipe connections.
5. Connect the Air Control Valve using the plastic tube provided, and connect the supply.
6. Turn on supply and check for leaks.
7. If necessary adjust the bubbler flow time as required by the "Air Control Valve Installation Instructions"