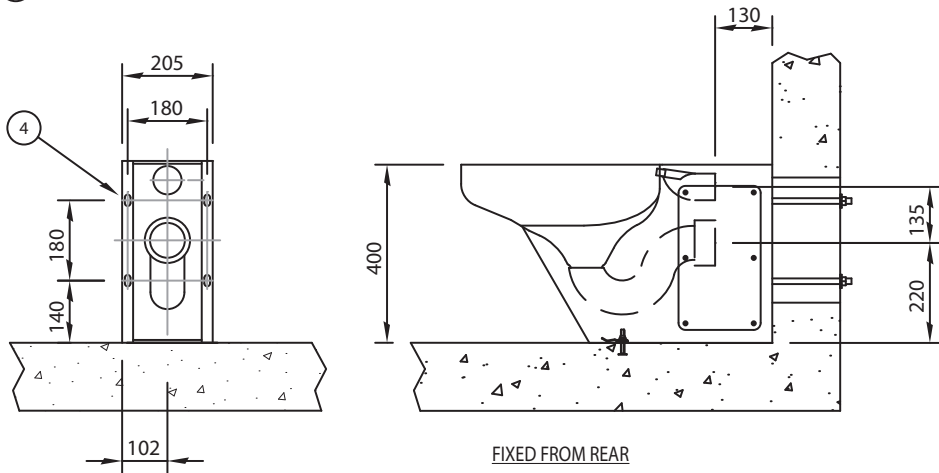
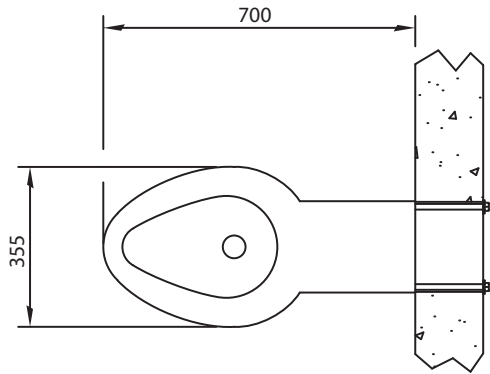


INSTALLATION

- ① 55mm ID Flush Inlet; Keyseal Provided by Others.
- ② 100mm OD Waste Outlet.
- ③ Access Panels - Both Sides of Toilet Housing.
- ④ 4 x 12mm Fixing Points
- ⑤ Concealed S-Clip Floor Anchor
- ⑥ S-Trap Converter



INSTALLATION INSTRUCTIONS

MODEL RBA8851-100 FRONT OR REAR MOUNT



For further information,
contact the nearest RBA Group office:
SYDNEY • MELBOURNE • BRISBANE
Phone: 1300 788 778 • Fax: 1300 788 878
info@rba.com.au • www.rba.com.au

COMPONENTS

"P" Trap Stainless Steel Pan	M12 fixing rods with nuts & washers
"S" Clip	"S" Trap converter
Security bit	

PRE-INSTALLATION

Installation should be in accordance with local authority and statutory requirements, and as per these installation instructions.

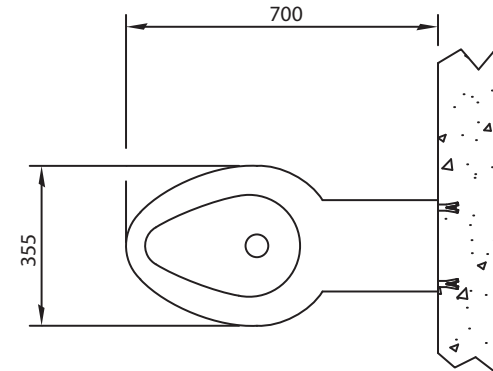
Pan is "wall faced" and should preferably be fixed to a masonry wall with suitable wall anchors provided by others. Supplied with "S" trap converter to allow either "S" or "P" configuration.

Flushing device should be –
Fowler Tasman Mk 2 cistern
Geberit Compact model no. 110.707.PN.1

INSTALLATION

- 1) If not pre-formed, make sufficient penetrations through the wall, as determined from the drawing, to allow the 100 mm waste pipe, 50 mm flush pipe, and, if necessary, 12 mm fixing rods to pass through. If front fixed, suitable wall anchors supplied by others.
- 2) Fix the "S" clip to the floor in a location determined from the drawing.
- 3) Fit a 100 mm pan collar to the outlet with sufficient 100 mm pipe to extend through the wall. (Alternately the waste and flush pipes may be pre-plumbed and the pan pushed onto the pipework.) If "S" trap configuration is required, location of floor penetration should be determined from the drawing.
- 4) Similarly fit a 50 mm keeseal to the pan inlet with sufficient pipe, as provided by the cistern manufacturer, to extend through the wall.
- 5) Push the pan into position, ensuring that the "S" clip on the floor is engaged, and secure the pan to the wall.
- 6) Make the necessary connections to the waste, and install the cistern and connect according to the manufacturers instructions.
- 7) Check for leaks and correct flush volumes, 6 litres full flush and 3 litres half flush.

INSTALLATION



- 1 55mm ID Flush Inlet; Keyseal Provided by Others.
- 2 100mm OD Waste Outlet.
- 3 Access Panels - Both Sides of Toilet Housing.
- 4 4 x 12mm Fixing Points
- 5 Concealed S-Clip Floor Anchor
- 6 S-Trap Converter

