

SPARE PARTS

FIGURE 2

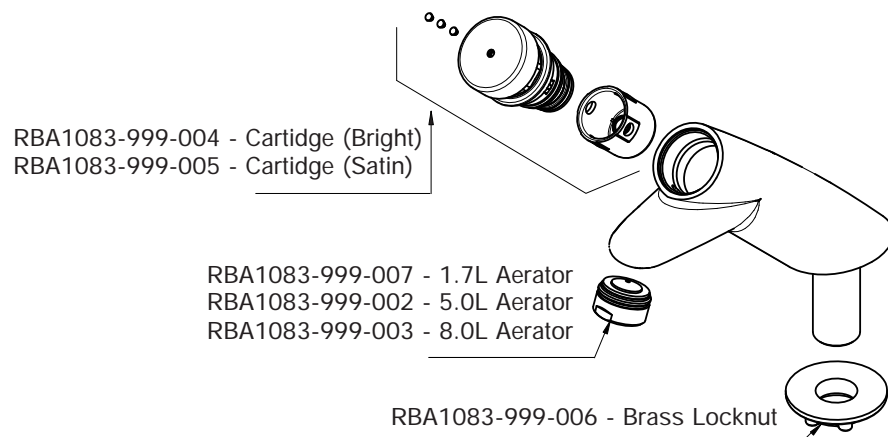


FIGURE 3



Code Number	Part Description
RBA1083-999-001	Spanner Key
RBA1083-999-007	Aerator 1.7L
RBA1083-999-002	Aerator 5.0L
RBA1083-999-003	Aerator 8.0L
RBA1083-999-004	Cartridge with Coloured Plugs (Bright)
RBA1083-999-005	Cartridge with Coloured Plugs (Satin)
RBA1083-999-006	Brass Locknut



For further information,
contact the nearest RBA Group office:
SYDNEY • MELBOURNE • BRISBANE • PERTH • AUCKLAND
Australia 1300 788 778 | www.rba.com.au
New Zealand 0800 722 111 | www.rbagroup.co.nz



INSTALLATION INSTRUCTIONS



SELF CLOSING PILLAR COCK

RBA1083-650
RBA1083-657
RBA1083-400
RBA1083-407
RBA1083-600
RBA1083-607

TECHNICAL DATA

Inlet	½" BSP (G1/2")
Operating pressure	200 – 500 kPa
Flow Time	7 seconds
Maximum Temp.	40°C
Flow Rate	1.7L per minute, 5.0L per minute, 8.0L per minute
Warranty	2 Years

DIMENSIONS

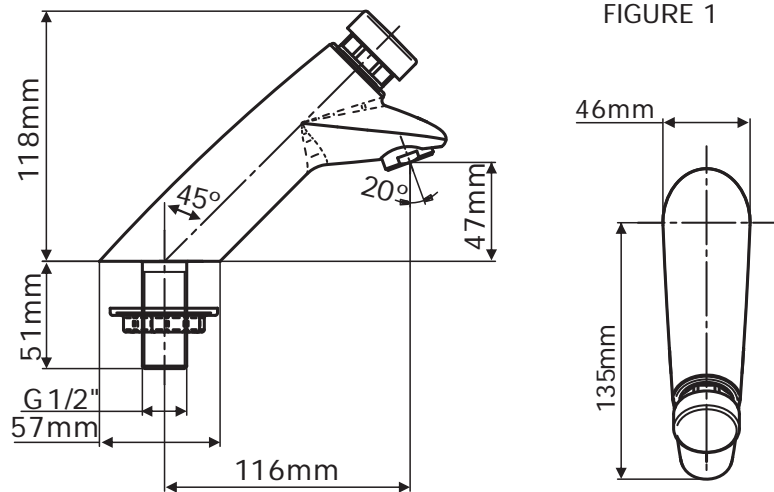


FIGURE 1

DESCRIPTION

Self closing pillar cock is designed for vandal prone areas, cast from 300 series stainless steel, with either polished or satin finish. Single connection, valve will deliver cold or pre mixed water, single temperature only.

RBA1083-650	Bright Polished Stainless Steel, 6 Star WELS, 1.7Lpm
RBA1083-657	Satin Stainless Steel, 6 Star WELS, 1.7Lpm
RBA1083-600	Bright Polished Stainless Steel, 6 Star WELS, 5.0Lpm
RBA1083-607	Satin Stainless Steel, 6 Star WELS, 5.0Lpm
RBA1083-400	Bright Polished Stainless Steel, 4 Star WELS, 8.0Lpm
RBA1083-407	Satin Stainless Steel, 4 Star WELS, 8.0Lpm

INSTALLATION

- 1) Installation must be carried out in accordance with local authority requirements.
- 2) Flush the line thoroughly, and remove all dirt and grit from the line before connecting the valve.
- 3) Install the tap in the basin, tightening lightly with spanner or grips.
- 4) Connection may be made with either flexible s/s braided hose, or copper tube and compression fittings.
- 5) Before turning on the water remove the aerator and flush the valve.
- 6) Replace the aerator and check for leaks.
- 7) Fit appropriate coloured indicator to the handle.

TROUBLE SHOOTING

PROBLEM	POSSIBLE CAUSES	SOLUTION
No flow or low volume	Water turned off Aerator blocked	Turn on Remove and clean*
Water flows continuously or short/long flow times	Cartridge blocked with dirt Cartridge damaged	Remove and clean* Replace the cartridge*
Leak under knob	Cartridge damage	Replace the cartridge*

* To remove the aerator and cartridge, use the Spanner Key (fig. 3)
(Not supplied with the pillar cock)

NOTES
