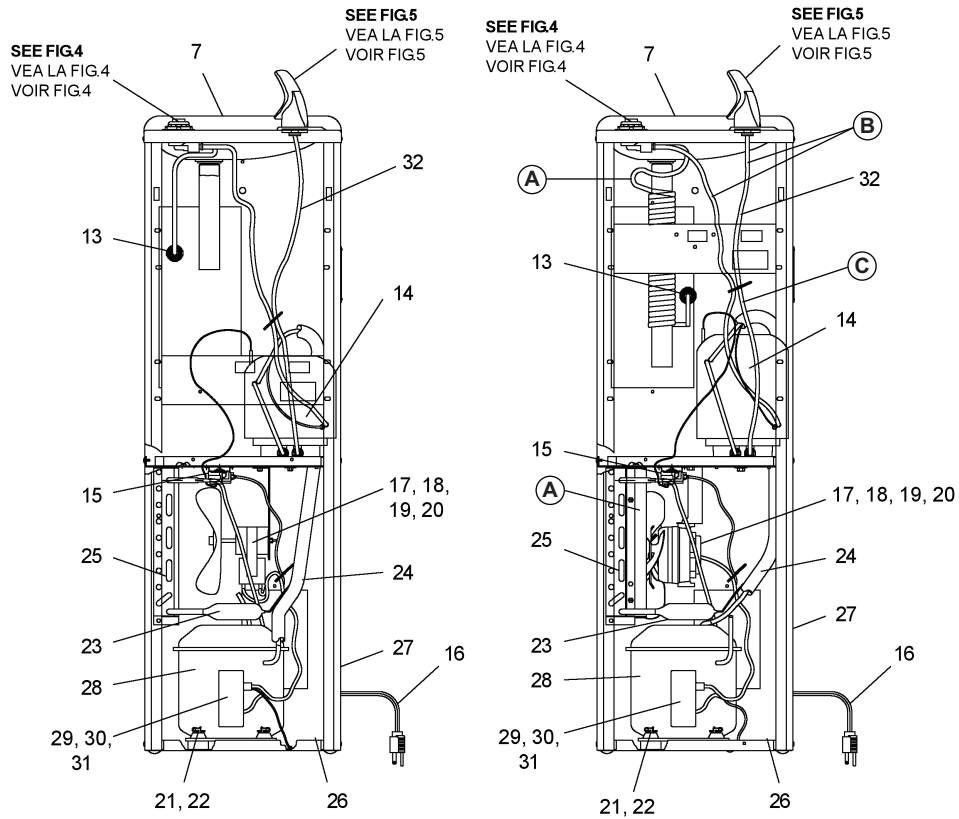


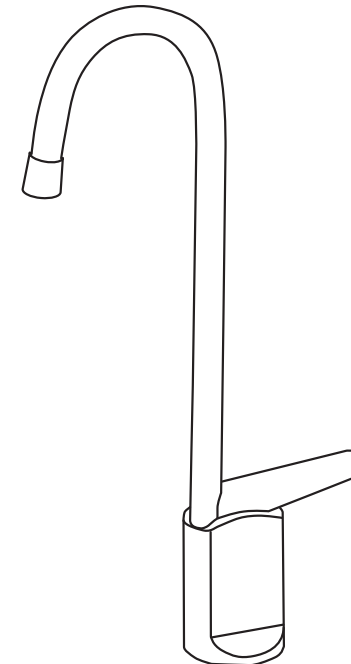
INSTALLATION



rba

INSTALLATION INSTRUCTIONS

FITTING GLASS FILLER TO RBA C700 SERIES COOLER

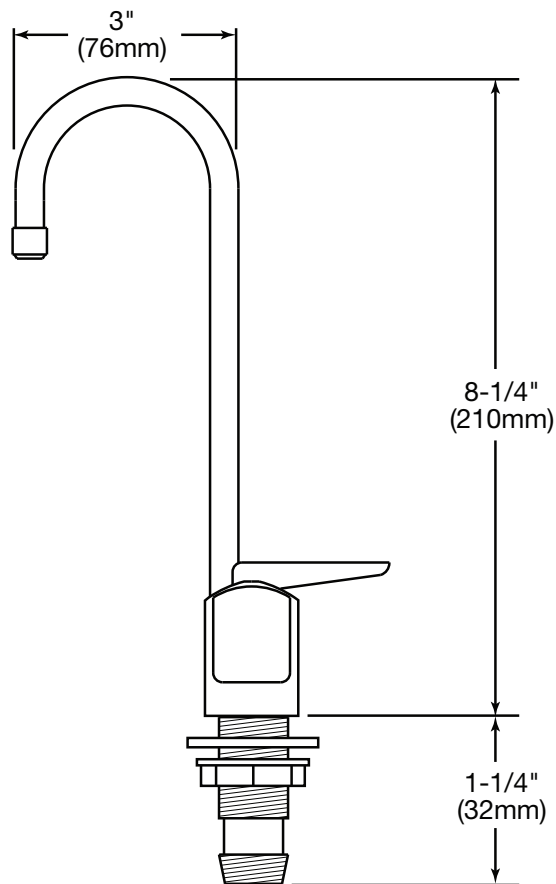


For further information,
contact the nearest RBA Group office:
SYDNEY • MELBOURNE • BRISBANE
Phone: 1300 788 778 • Fax: 1300 788 878
info@rba.com.au • www.rba.com.au

ITEMS PROVIDED

- 1) Combined spout and valve glass filler
- 2) 1/4" "Push-Fit" coupling
- 3) 1/4" "Push-Fit" tee
- 4) 1/4" x BSP Brass compression fitting
- 5) 500mm x 1/4" Nylon tube
- 6) 3/8" x 1/4" Brass Adaptor

DIMENSIONS



INSTALLATION

- 1) Elkay coolers are assembled using "Push Fit" type fittings. To disassemble the joint, depress the plastic collar around the tube at the end of the fitting, at the same time withdraw the tube from the fitting.
To reassemble, push the tube into the fitting ensuring that it goes all the way to the register.
- 2) Drill a 15mm hole in the top of the unit in the desired location, (usually in the RH rear corner) and fit the glass filler using the fittings provided.
- 3) Disconnect both tubes, (A) & (B) from the bubbler activation valve, and join together using the coupling provided. It may be necessary to shorten tube (B) slightly.
- 4) Disconnect tube (C) from the bubbler spout, cut at about half way, and fit the tee provided in the vertical position.
- 5) Connect the top of the tee to the glass filler using the tube and compression fittings provided.
Ensure that the flow restrictor is inserted into the end of the tube before connecting to the spout.
- 6) Connect the centre of the tee to the inlet of the bubbler activation valve, ie the connection towards the rear of the unit.
- 7) Connect the bubbler spout to the remaining connection on the bubbler activation valve, ie the connection towards the front of the unit.

Important:

If the ends of the copper tube are dirty, discoloured, or not smooth, they should be cleaned with steel wool or similar, to ensure a seal with the "O" ring within the "Push Fit" fitting.