



rba

INSTALLATION INSTRUCTIONS

A900 SERIES PYLON COLUMN SHOWER



A926 SHOWN



For further information,
contact the nearest RBA Group office:
SYDNEY • MELBOURNE • BRISBANE
Phone: 1300 788 778 • Fax: 1300 788 878
info@rba.com.au • www.rba.com.au

ROUGH-IN

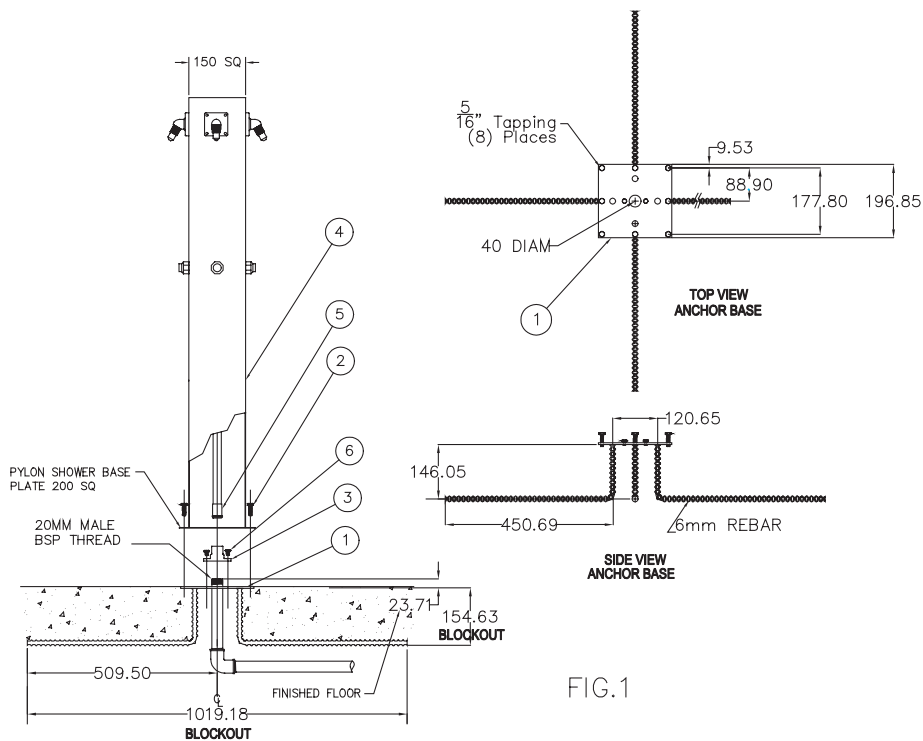


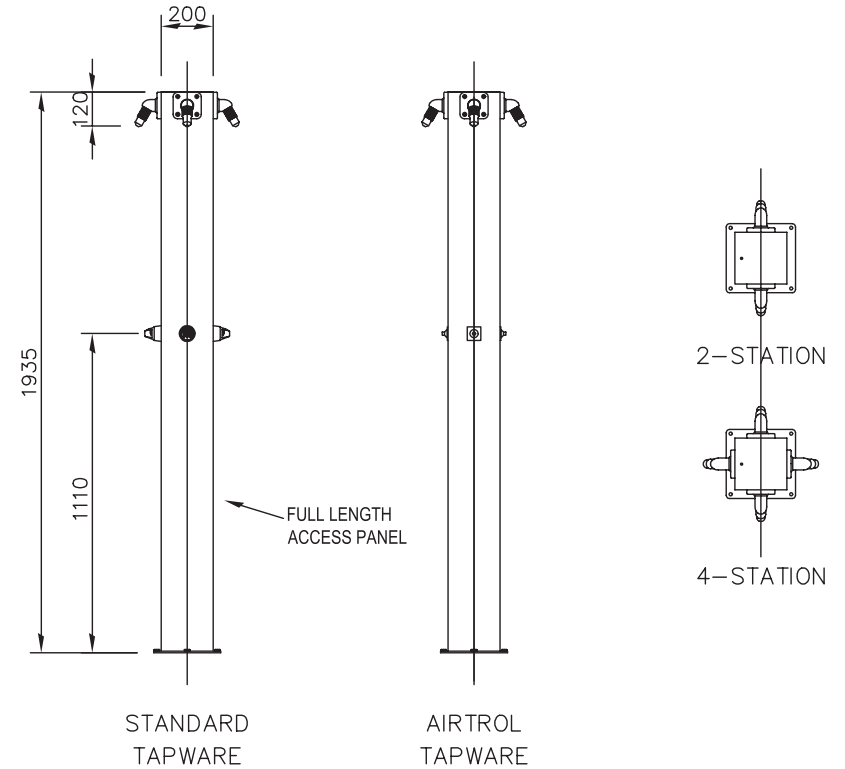
FIG.1

Refer to "Installation Instructions Air-Trol Valve Model 03-M" for specific valve requirements.

The anchor base (1) should be incorporated in the concrete slab, as in fig 1. Before pouring the slab, screw the fixing bolts (2&6) all the way into the base to ensure full penetration when fitting the column. The top of the base should be level, and finish flush with the finished floor.

20mm water supply should be connected to the 20mm BSP adaptor (3) fixed to the base, with a control cock in line prior to the base, in a convenient location.

INSTALLATION



A900 SERIES PYLON SHOWERS

Remove access panel (4), check height of water connection, and flush the supply thoroughly.

Remove bolts from the base, and fit column, ensuring that the "O" ring adaptor (5) is correctly aligned with the socket. It may be necessary to apply a suitable lubricant to the "O" ring.

Once the column is bolted in position, turn on the supply and check for leaks. It may be necessary to adjust the flow time as described in "Installation Instructions Air-Trol Valve Model 03-M".

Refit the access panel.