



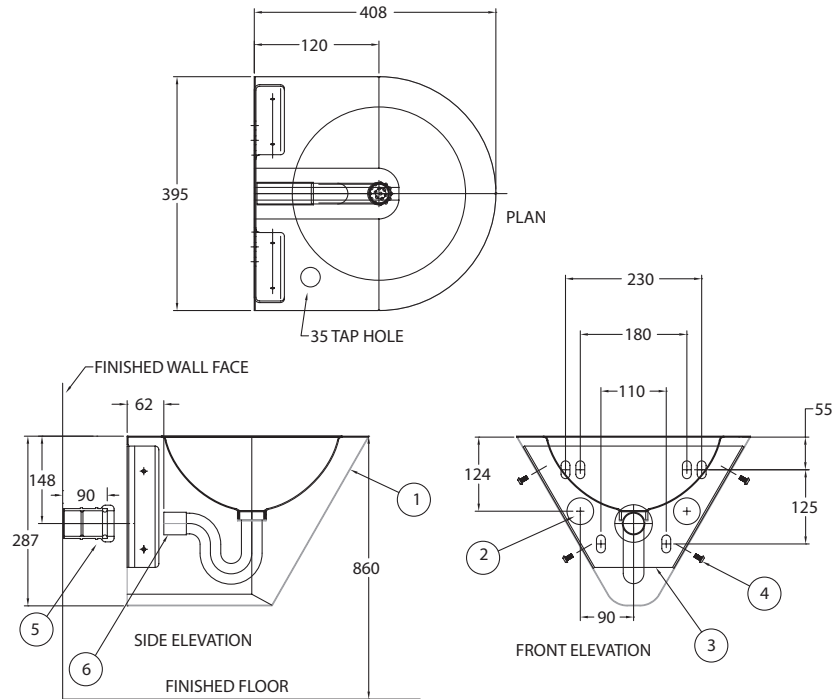
INSTALLATION INSTRUCTIONS

BASIN MODEL A8888-FA



For further information,
contact the nearest RBA Group office:
SYDNEY • MELBOURNE • BRISBANE
Phone: 1300 788 778 • Fax: 1300 788 878
info@rba.com.au • www.rba.com.au

INSTALLATION



- | | |
|-------------------------------------|-----|
| 1. EURO COMPACT BASIN HOUSING | 1 |
| 2. WATER TERMINATION POINT | 1-2 |
| 3. RBA BASIN MOUNTING BRACKET | 1 |
| 4. M6x20 TORX SECURITY SCREW | 4 |
| 5. 38MM uPVC TO S/S "O"RING ADAPTOR | 1 |
| 6. 38MM OD OUTLET | 1 |

COMPONENTS

Single tap hole basin with integral trap.
 Fixing bracket.
 Security fixing screws (4).
 Security bit.
 38mm uPVC to S/S waste outlet adaptor.

SUPPLIED BY OTHERS

Wall fixings
 Tapware, pipe and fittings etc.

INSTALLATION

NOTES

1. Installation should be carried out in accordance with all authority requirements, and as per these instructions.
2. Total load on the basin must not exceed 31kg.
3. Immediately on receipt, and before installation, check for marks or damage.

ROUGH-IN

1. Determine and mark the height of the basin, usually 860mm from the finished floor, or as determined by the builder/project manager.
2. 38mm DWV waste pipe should be terminated in the horizontal plain, 148mm from the top of the basin, with "O" ring in the waste adaptor provided, 90mm from the finished wall face.
3. Terminate the water supply in the location (2) shown, with a mini-cock.
 Note: the basin is provided with a single penetration for one tap only. If using a mixer type tap with user adjustable temperature, it may be necessary to terminate both hot and cold in the locations provided under the basin.

INSTALLATION

1. Mount the fixing bracket with suitable wall anchors, such that the waste outlet centre is 148mm from the top of the basin, ensuring that it is level.
2. With the tap mounted in the basin, make the water connection using a flexible braided s/s hose, turn on the water and check for leaks.
3. Using "O" ring lubricant on both the trap outlet spigot and the "O" ring, push the trap spigot through the "O" ring. Replace the four security screws through the basin into the bracket, tighten with the bit provided, and check for leaks.