



rba

## INSTALLATION INSTRUCTIONS

### A700 SERIES COLUMN SHOWER

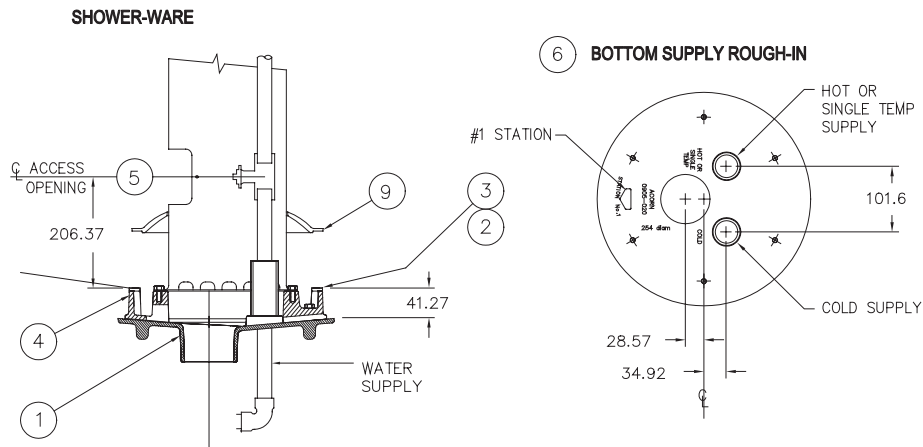


A745 SHOWN



For further information,  
contact the nearest RBA Group office:  
SYDNEY • MELBOURNE • BRISBANE  
Phone: 1300 788 778 • Fax: 1300 788 878  
info@rba.com.au • www.rba.com.au

## DRAIN BASE INSTALLATION



Refer to "Installation Instructions Air-Trol Valve Model 03-M" for specific valve requirements.

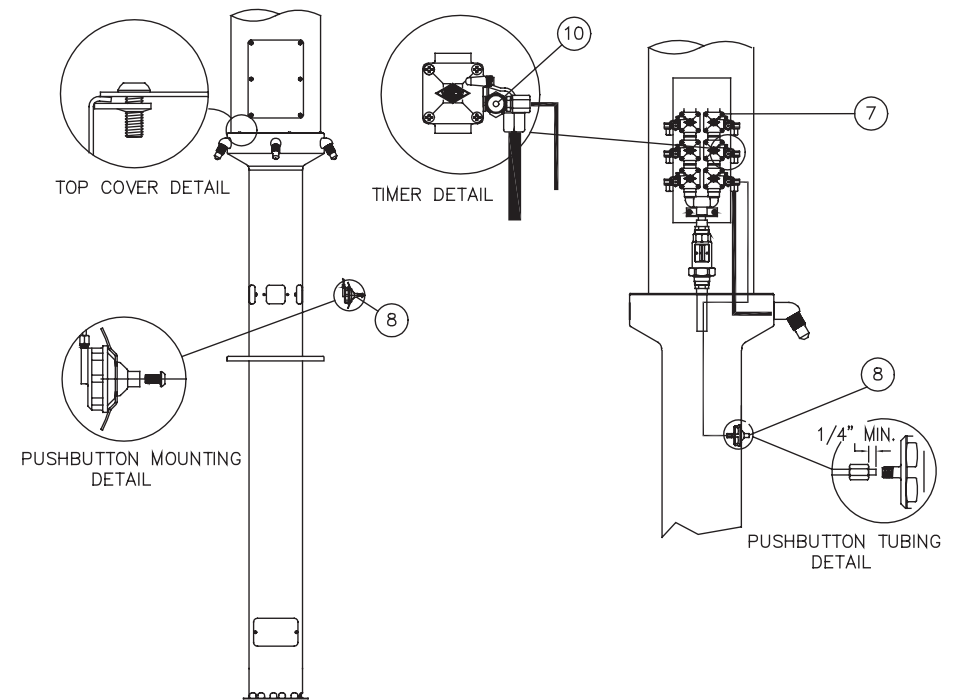
Locate the base such that the No 1 shower position, is in line with the mark on the base. This will ensure that the supply pipe(s) and access panel are in the correct position. The access panel is then located at the No 1 shower position.

Ensure that the base (1) is supported, level, and the screed guide (2) is level with the finished floor (3).

Supply pipes should be located as shown (6) and terminated approx. 300mm above the floor, for later connection. Outlet connection may be made using a standard 100 mm pan collar.

If a waterproof membrane is being used, remove clamping collar (4), install membrane and re-install clamping collar.

## SHOWER COLUMN INSTALLATION



Remove the access panel (5), and mount the column in position on the base.

Air Trol valves (7) should be located in the housing on top of the column, and connection to the supply made using a union preceded by a control cock. It may be necessary to remove the column to fit the control cock etc. The supply must be flushed before final connection.

Connect the Air Trol activation button (8) to the valve using the 3mm tube provided. Connect the corresponding shower head to the valve using the 6mm tube provided. Plastic compression nuts should be hand tightened only.

With all connections made, dome grate (9), fitted, the supply can be turned on, and the flow time adjusted. This is carried out by turning screw (10), clockwise to increase flow time, or anti-clockwise to reduce. For further detail see "Installation Instructions Air Trol Valve model 03-M".