

INSTALLATION

Refer to "Installation Instructions Air-Trol Valve Model 03-M" for specific valve requirements.

Rough-in waste and supply pipes as in fig 1. Waste outlet is 2" BSP, and water supply 3/4" BSP.

INSTALLING WASHFOUNTAIN

Remove pedestal skirt quarter panel, and secure the unit to the floor using appropriate fixings.

After flushing supply lines, make necessary waste and water connections.

Turn on water, check for leaks, adjust the flow time if necessary and replace the access panel.



For further information,
contact the nearest RBA Group office:
SYDNEY • MELBOURNE • BRISBANE
Phone: 1300 788 778 • Fax: 1300 788 878
info@rba.com.au • www.rba.com.au

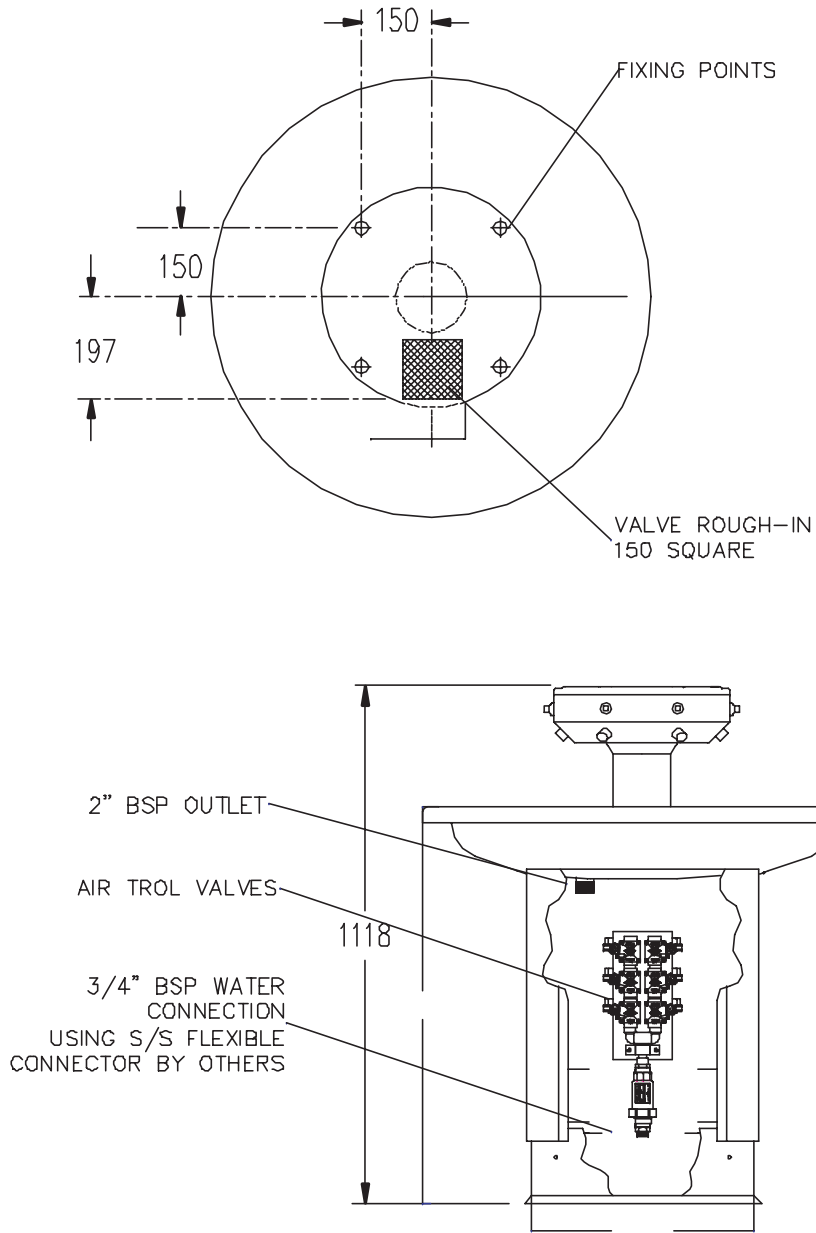


INSTALLATION INSTRUCTIONS

WASHFOUNTAINS A3506 (Six Station) Series; and A3508 (8 Station) Series



INSTALLATION



INSTALLATION

