



rba

disabled &
accessible washroom equipment



www.rba.com.au



Tactile Signs



 **B817190 Folding Shower Seat**

Solid Phenolic, Meets AS1428.1-2001 when installed correctly
960mm [W] x 390mm [D]



 **B715E Elan™ Hand Dryer**



Contemporary styling; Satin Finish type-304 Stainless Steel, 5 year warranty



 **A8847-DIS Wall Faced Stainless Steel WC Pan with Cistern**



As A8847, but for Disabled use



 **A8851-DIS Wall Faced Stainless Steel WC Pan for Disabled Use**



with P- or S-Trap Front or Rear Fixed Watermark Approval W291

To order seat, use: A86 White w/- lid



 **B812472 Tilt Mirror**

Satin Finish Stainless Steel Frame, for Disabled use
406mm [W] x 960mm [H]

***B293 Series Tilt Mirror**

As B812472, but sizes as shown:
293 1630 - 410mm [W] x 760mm [H]
293 1830 - 460mm [W] x 760mm [H]
293 1836 - 460mm [W] x 910mm [H]
293 2436 - 610mm [W] x 910mm [H]



 **A8889-1 Meridian™ Single-Station Basin**
Satin Finish Stainless Steel

 **A8889-1-EB Meridian™ Single-Station Basin**
A8889-1 including trap cover



 **B4112 Contura™ Surface-mounted Soap Dispenser**



Satin Finish Stainless Steel, Patented 180mm [W] x 155mm [H], 1.2L capacity

 **B4063 Contura™ Recessed Soap Dispenser**



As B4112, but recessed, Patented



 **B4369 Contura™ Recessed Paper Towel and Waste**



Satin Finish Stainless Steel, Patented 325mm [W] x 710mm [H]

 **B43699 Contura™ Surface Mounted Paper Towel and Waste**

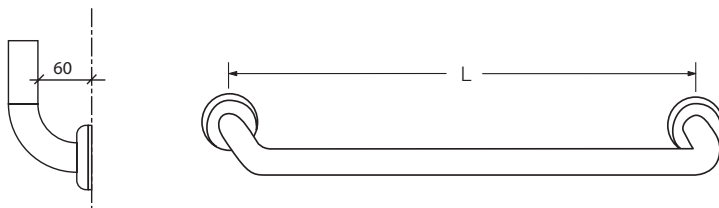
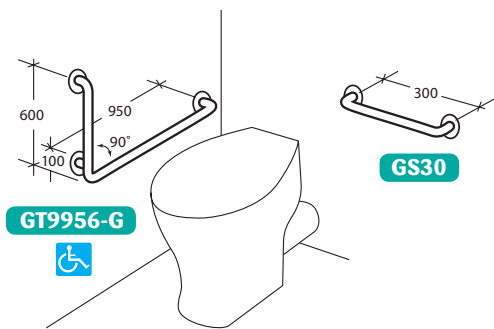
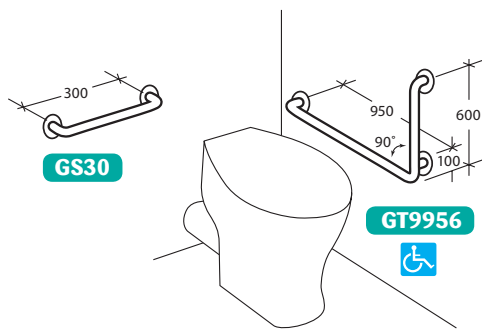
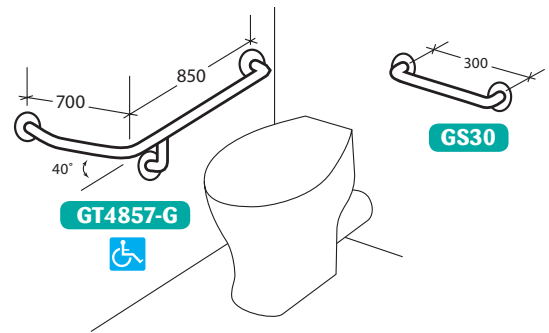
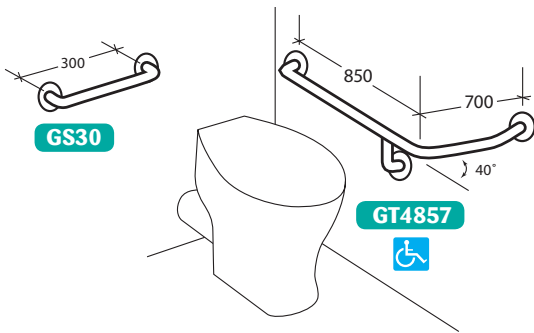
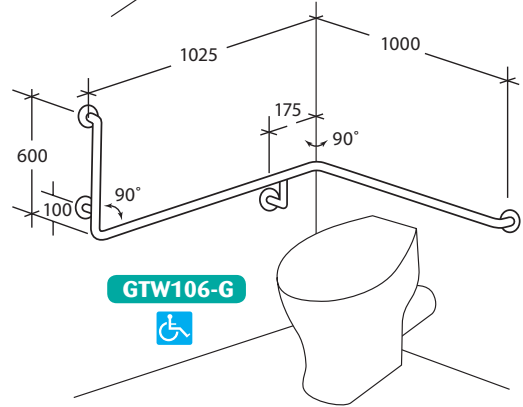
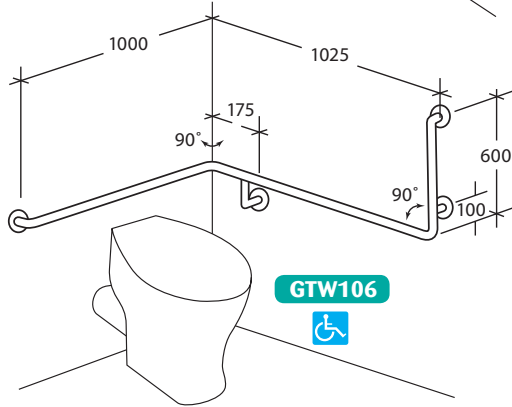
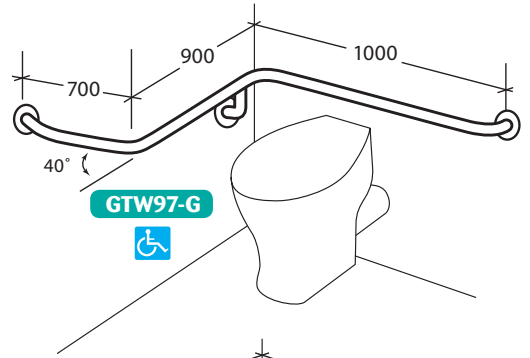
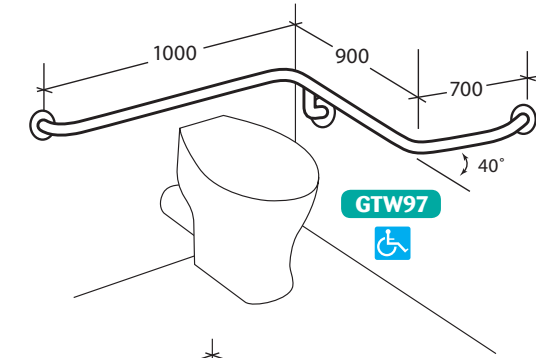


As B4369, but surface mounted, Patented

RBA should be consulted on the suitability of products based on intended use.

toilet grab rails

Rails suit Disabled Code AS1428.1-2001 when installed correctly.



GS Series Straight Grab Bar



- GS30 Straight Grab Rail 300mm
- GS45 Straight Grab Rail 450mm
- GS60 Straight Grab Rail 600mm
- GS75 Straight Grab Rail 750mm
- GS90 Straight Grab Rail 900mm
- Other sizes available

DESIGNERS NOTE:

All Rails #304 Stainless Steel, 32mm Dia., 60mm Wall Clearance, Satin Finish, Concealed Fixings - unless otherwise indicated.



= MEETS DISABLED CODE



= AMBULANT RAIL ONLY

RBA should be consulted on the suitability of products based on intended use.

Ph: 1300 788 778

Fax: 1300 788 878

RBA GROUP

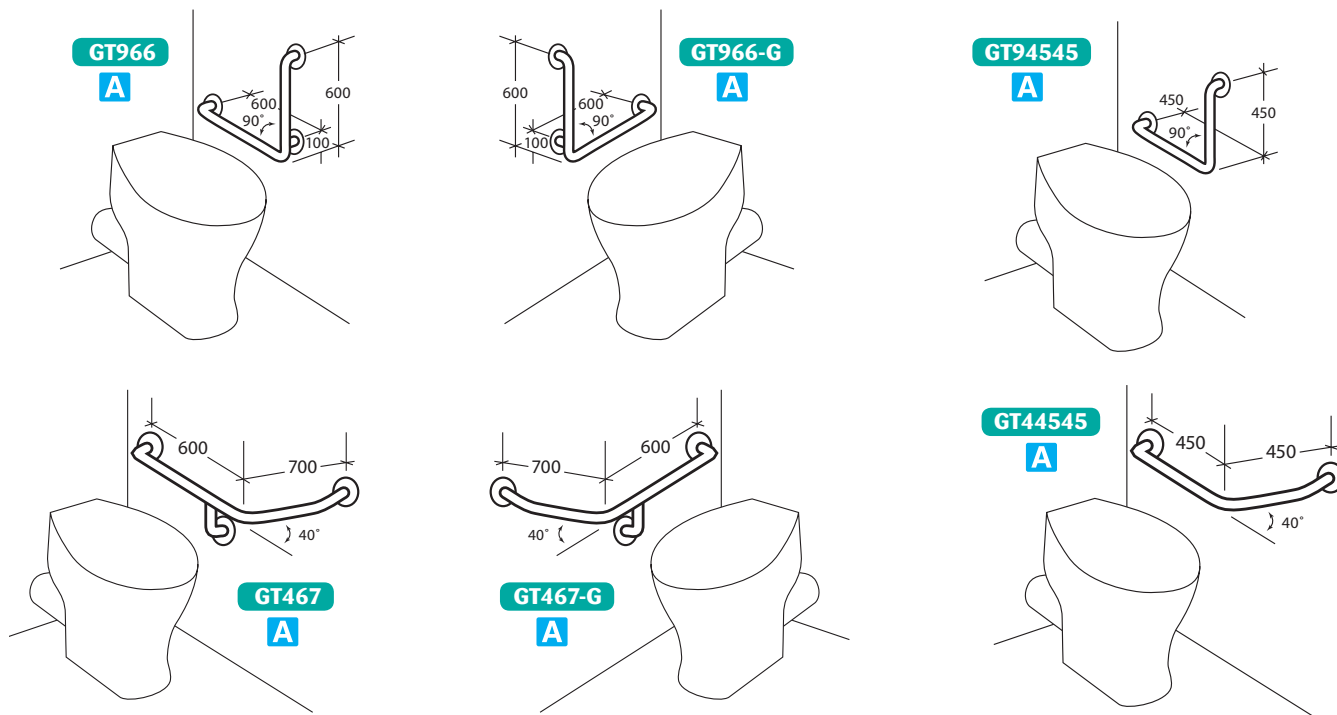
www.rba.com.au

info@rba.com.au

This page may show some available options. Refer data sheets for detailed product specifications.

ambulant toilet grab rails

Ambulant use only.

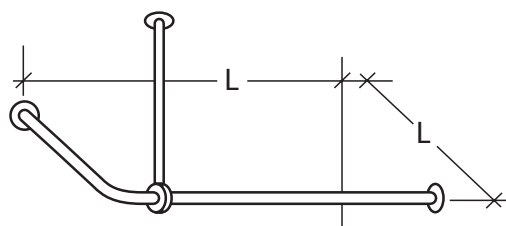
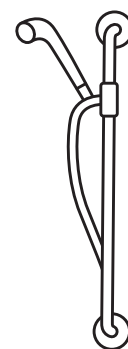


shower grab rails

GSH90 Straight Grab Bar with adjustable Tapered style handset support **ONLY**



GSH90 Straight Grab Rail 900mm (Includes Bracket but not Handset)



GSC Series 90° Angled Shower Curtain Rail

25mm Dia., 1000mm Ceiling Support.

GSC10 1000mm Square

GSC12 1200mm Square

GSC15 1500mm Square

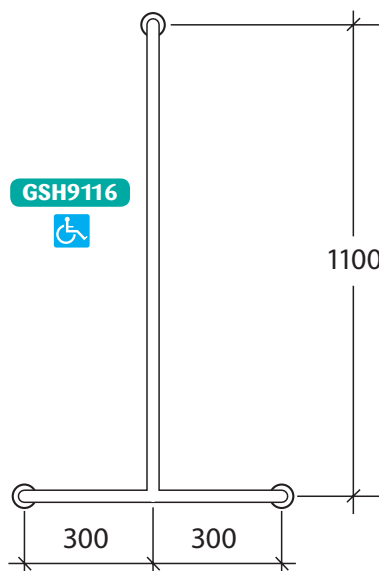
Note: For Shower Curtains & Hooks, use -

B204.1 Shower Curtain Hook, Stainless Steel

B204.2 Heavy Duty Shower Curtain [1065mm W x 1830mm H]

B204.3 Heavy Duty Shower Curtain [1780mm W x 1830mm H]

GSH9116



B6047 Straight Shower Curtain Rail

Standard sizes available

DESIGNERS NOTE:

All Rails #304 Stainless Steel, 32mm Dia., 60mm Wall Clearance, Satin Finish, Concealed Fixings - unless otherwise indicated.



= MEETS DISABLED CODE



= AMBULANT RAIL ONLY

RBA should be consulted on the suitability of products based on intended use.

© COPYRIGHT MMVII