



COMBY WITH S- OR P-TRAP OUTLET – FRONT OR REAR FIXED



RBA8857-100

Materials & Features

Unit may be front or rear fixed. Wall-Faced Comby is manufactured from heavy-gauge, type 304 stainless steel. External surface is satin finish. Internal bowl surface is a unique matt satin ultra-smooth finish that is hygienic, easy to clean and resistant to scale build-up. The integral seat is bright polished for hygiene and comfort. Laser-cut, flush-fitting access panels are incorporated in both sides of the unit and held in position by security screws.

Trap: Seamless one-piece smooth bore trap with radiused bends. Formed with a minimum 50mm deep water seal

Outlet: 100mm overall P-Trap outlet suitable for a standard pan collar.

Alternatively, it may be converted to floor outlet using 'S' trap converter, which will seal inside standard 100mm piping.

Inlet: Back inlet, 55mm internal diameter water inlet socket, to accept standard key seal [key seal supplied by others]

Fixings: Furnished with concealed floor-fixing 'S' clip and 4 x M12x250mm fixing rods for rear fixing. If front fixing is required, front fixing bolts and anchors to be supplied by others. To order tool to suit security screws, quote model # A111-99.

Tapware: Unit come standard with hemispherical suicide resistant bubbler, self-closing valve and activator.

Performance Standards

Unit has WATERMARK certification from Standards Australia

Unit has WELS certification

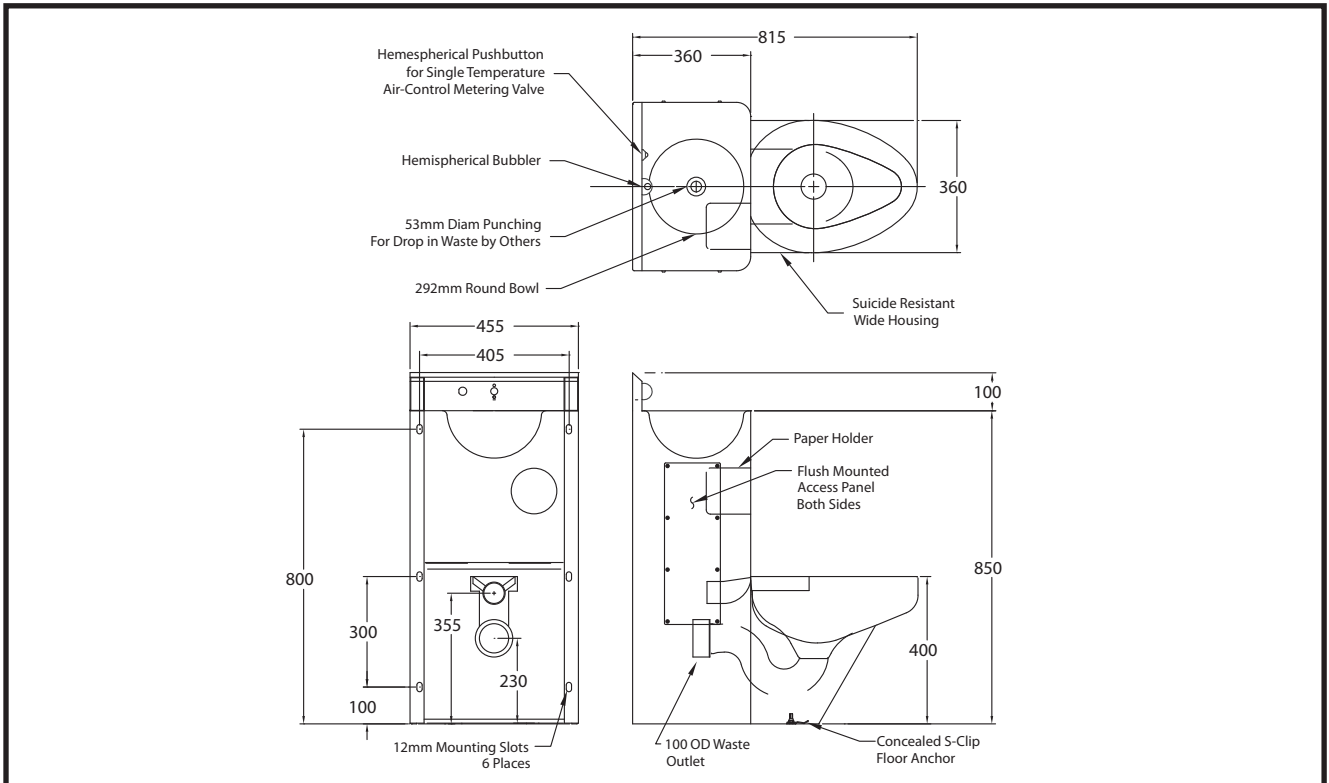


Installation

Unit may be front or rear fixed. Ensure wall construction is capable of supporting the unit. Unit is fixed to floor with concealed S-clip [fixings for S-clip by others] and fixed to wall with 4 fixing rods through 4 fixing holes [2 on either side of the internal frame]. Suitable for installing with a concealed duct mounted cistern or flush valve supplied by others. Refer Installation Instruction for location of fixing points, trap outlet location, etc.

Designers Note: 1. Suicide resistant 2. Includes 6 Star tapware.

Important: Installation instructions and current rough-in details should be furnished with each fixture. Do not rough in without certified dimensions. Dimensions are subject to manufacturer's tolerance of +/-10mm.



As improvements in the design and performance of RBA products are continuous, specifications may be subject to change without notice. The illustrations and descriptions herein are applicable to production as of the date of this Technical Data Sheet. Revised 05/10 Printed in Australia © 2009 by RBA Bathroom Products TD/Model RBA8857-100/0510