



# WALL HUNG WC PAN WITH P-TRAP OUTLET – REAR FIXED



RBA8832-100 Wall Hung WC Pan

## Materials & Features

Wall hung WC Pan is manufactured from heavy-gauge, type 304 stainless steel. External surface is satin finish. Internal bowl surface is a unique matt satin ultra-smooth finish that is hygienic, easy to clean and resistant to scale build-up. The integral seat is for hygiene and comfort. Unit is mounted off the floor for ease of cleaning.

**Trap:** Seamless one-piece smooth bore trap with radiused bends. Formed with a minimum 50mm deep water seal

**Outlet:** 100mm overall P-Trap outlet suitable for a standard pan collar.

**Inlet:** Back inlet, 55mm internal diameter water inlet socket, to accept standard key seal [key seal supplied by others]

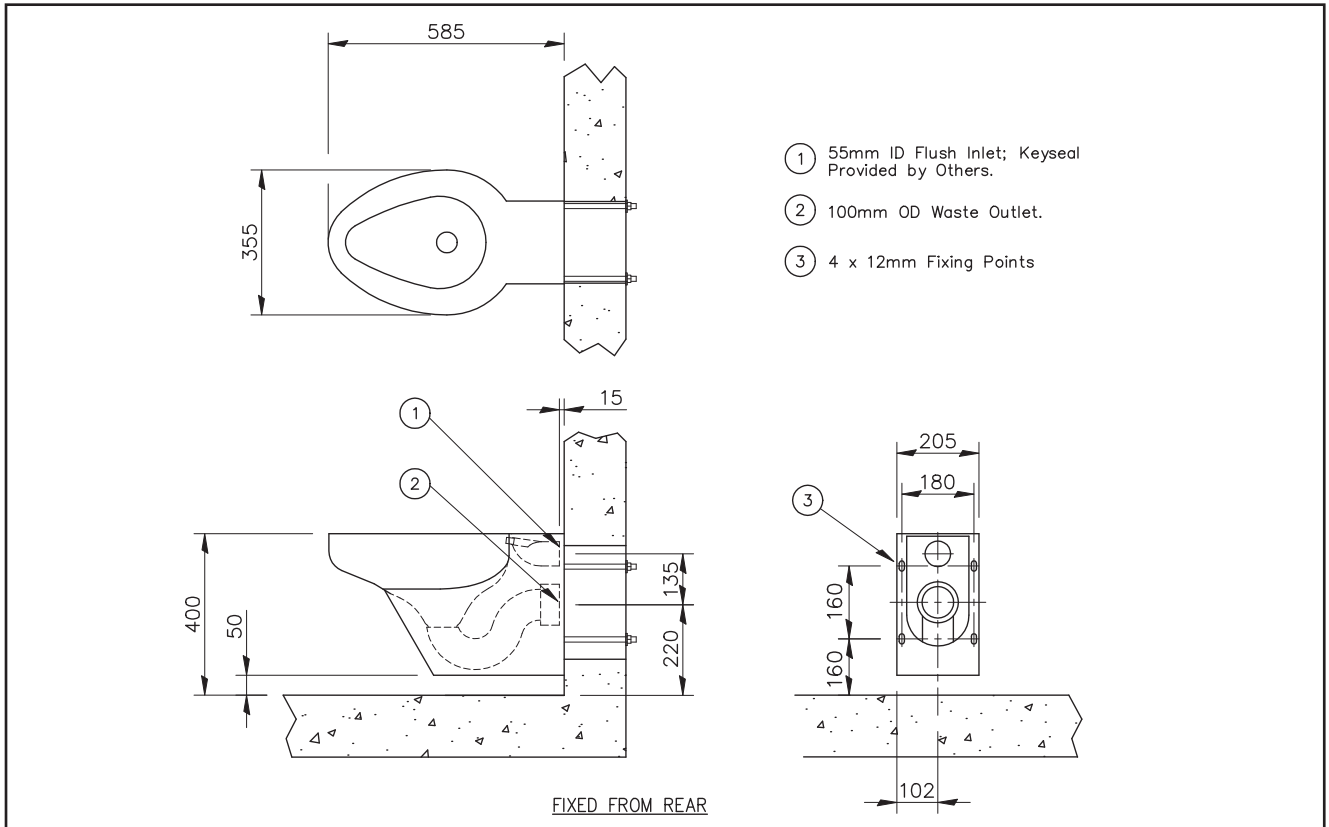
**Fixings:** Furnished with 4 x M12x250mm fixing rods  
**Options:** For hinged seat options, please contact RBA Group.



## Installation

Ensure wall construction is capable of supporting the unit. Unit is mounted off the floor - pan rim typically 400mm above FFL. Unit is rear fixed and mounted to wall with 4 fixing rods through 4 fixing holes [2 on either side of the internal frame]. Suitable for installing with a concealed duct mounted cistern or flush valve [see RBA Group Flush Valve Catalog]. Refer Installation Instruction for location of fixing points, trap outlet location, etc.

**Important:** Installation instructions and current rough-in details should be furnished with each fixture. Do not rough in without certified dimensions. Dimensions are subject to manufacturer's tolerance of +/-10mm.



As improvements in the design and performance of RBA products are continuous, specifications may be subject to change without notice. The illustrations and descriptions herein are applicable to production as of the date of this Technical Data Sheet. Revised 06/11 Printed in Australia © 2011 by RBA Group TD/Model RBA8832-100/0611