

WATERLESS URINAL



RBA8821-100 Waterless Urinal

Materials & Features

Model RBA8821-100 is a single stall waterless urinal, fabricated from heavy gauge type 304 stainless steel, with all exposed surfaces polished to a satin finish. It is designed for use in vandal prone areas where aesthetics, as well as water conservation is a consideration. It incorporates a unique silicone duckbill diaphragm which allows liquid to pass through to the drain, but prevents the passage of odours and gasses from the drain to the room.

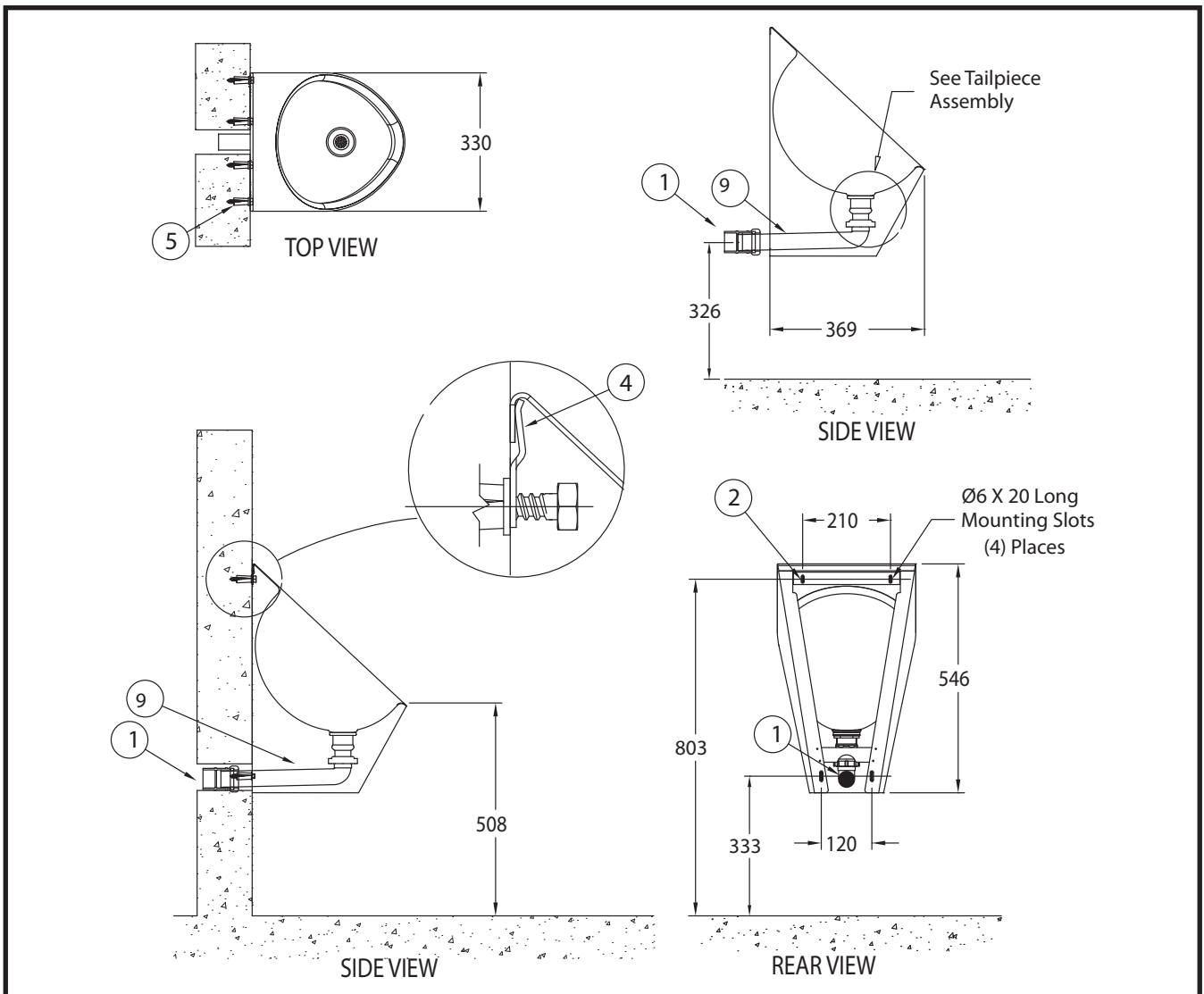
Installation

The urinal is easily installed on any suitably constructed wall, and connected to the existing drain, so long as that drain does not consist of copper pipe, such that the undiluted urine will pass into the drain. Because the urinal is "waterless" it requires no water connection.

Maintenance

Waterless urinals require cleaning daily, and replacement of the duckbill valve, subject to usage frequency, at intervals of 6 to 12 months.

Important: Installation instructions and current rough-in details should be furnished with each fixture. Do not rough in without certified dimensions. Dimensions are subject to manufacturer's tolerance of +/-10mm.



As improvements in the design and performance of RBA products are continuous, specifications may be subject to change without notice. The illustrations and descriptions herein are applicable to production as of the date of this Technical Data Sheet. Revised 07/11 Printed in Australia © 2011 by RBA Group TD/Model RBA8821-100/0711