



STAINLESS STEEL SELF CLOSING TAP – 4 STAR



Special Features

- Clean Hygienic Design
- Water Saving
- Vandal Resistant
- Easy to Operate
- Low Maintenance
- Easy to Install



Description

Self closing tap is designed for vandal prone areas, cast from 300 series stainless steel, with either polished or satin finish. Single connection, valve will deliver cold or pre mixed water, single temperature only.

Hydraulic Requirements at Each Tap

Inlet:	1/2" BSP (G1/2")
Operating pressure:	200 – 500 kPa
Flow Time:	4 – 10 seconds
Maximum Temp.:	40° C
Flow Rate:	8L per minute

Construction

Solid stainless steel construction with polished or satin finish.

Operation

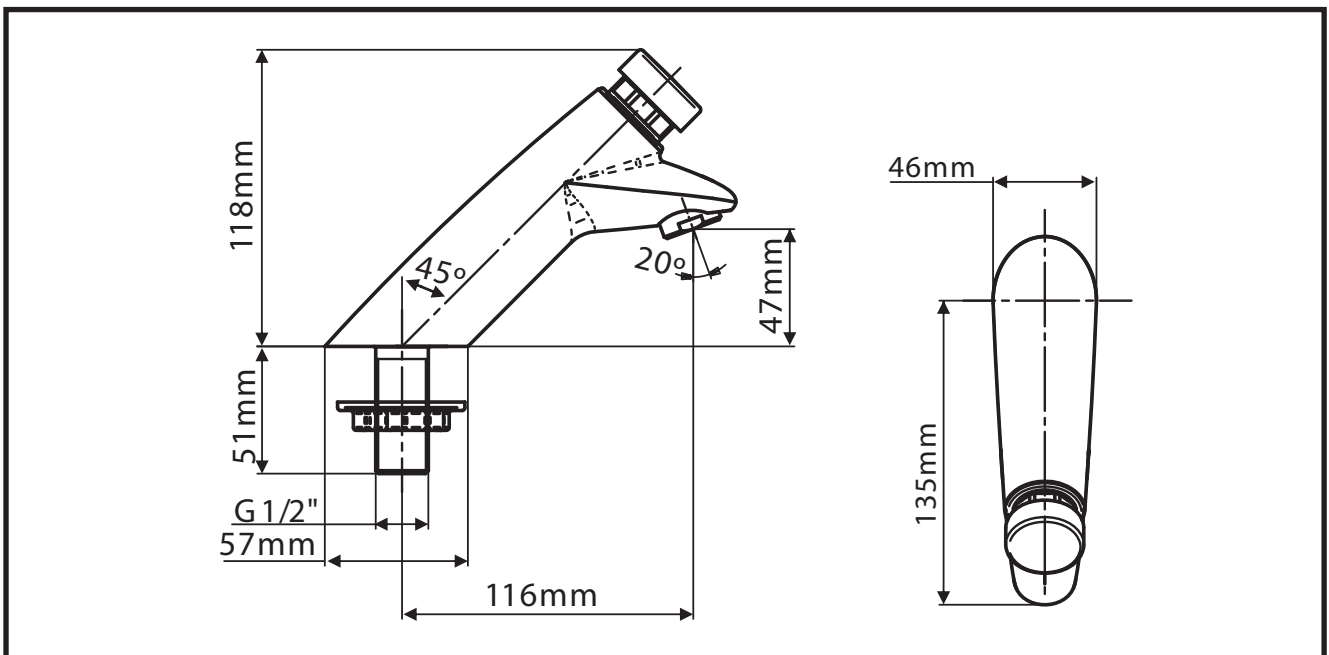
Tap is activated by pushing the button, flow will cease when preset time is achieved.

Options

- RBA1083-400 4 Star Stainless Steel Self Closing Push Tap - Polished
- RBA1083-407 4 Star Stainless Steel Self Closing Push Tap - Satin

Designers Note: To specify 6 Star, use model # RBA1083-600 (Bright Stainless Steel) or RBA1083-607 (Satin Stainless Steel).

Important: Installation instructions and current rough-in details should be furnished with each fixture. Do not rough in without certified dimensions. Dimensions are subject to manufacturer's tolerance of +/-10mm.



As improvements in the design and performance of RBA products are continuous, specifications may be subject to change without notice. The illustrations and descriptions herein are applicable to production as of the date of this Technical Data Sheet. Revised 03/10 Printed in Australia © 2010 by RBA Group TD/Model RBA1083-400/0310