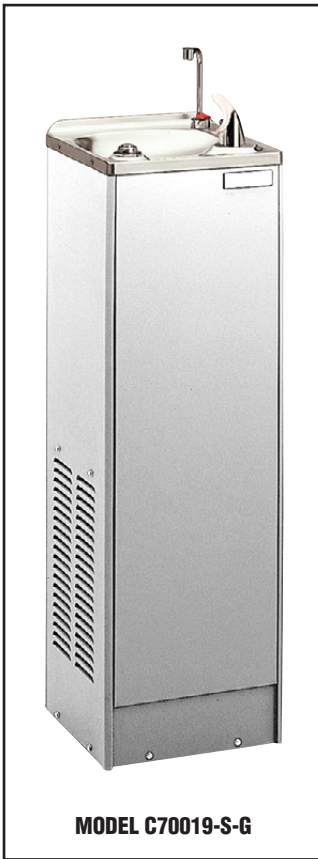


SPACETTE SERIES



MODEL C70019-S-G

General

Self-contained, floor mounted, wall fixed electric refrigerated water cooler.

This Series furnished with Hermetically sealed combination tank-tube type cooling unit enclosed in cabinet. Cabinet design allows for flush-to-wall installation. Removable front panel & cabinet sides are Stainless Steel Finish.

Non-pressurized stainless steel cooling tank is standard. Non-pressurized water tank is located after bubbler valve, so that tank is subject to line pressure only when bubbler button is pressed.

Options:

C70019-S Spacette, Stainless Steel Finish, 19 Litre Recovery

C70019-S-G Stainless Steel Finish with Glass Filler

C70038-S Spacette, Stainless Steel Finish, 38 Litre Recovery

C70038-S-G Stainless Steel Finish with Glass Filler

-G to specify unit with Glass Filler [requires factory preparation]

Capacity

Capacities are based on providing drinking water at 10°C from an inlet temperature of 27°C and ambient temperature of 32°C.

Cooling System

Motor Compressor: Hermetically sealed, reciprocating type, 240 VAC, 50-60 Hertz single phase. Sealed in lifetime oil supply. Equipped with electric cord and three prong moulded rubber plug.

Condenser: Fan cooled, copper tube with aluminium fins. Fan motor is permanently lubricated.

Cooling Unit: Combination tube-tank type. Self-cleansing. Tube portion is continuous coil of copper tubing. Tank is stainless steel. Fully insulated with EPS [self-extinguishing] foam.

Refrigerant Control: Refrigerant HFC-134a is controlled by accurately calibrated capillary tube for trouble-free operation.

Temperature Control: Enclosed adjustable thermostat is factory pre-set. Requires no adjustment other than for altitude requirements.

Construction

Cabinet: Galvanised structural steel chassis supports refrigeration system and fastens to wall. Provides increased structural integrity and rigidity to cooler. Cabinet sides and removable front panel are finished in Stainless Steel.

Stainless Steel Basin:

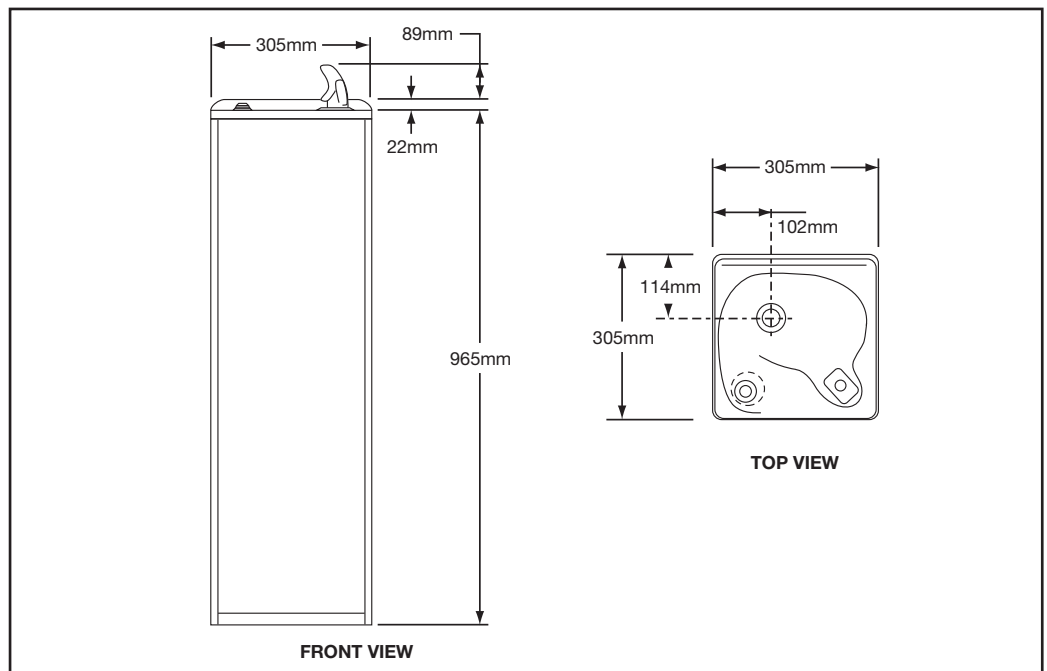
One piece polished to a uniform satin finish. Basin has integral drain grid, embossed bubbler pad.

Flexi-Guard® Safety

Bubbler: Flexes on impact to help prevent accidental injuries. Keyed into position to prevent rotation. Anti-sweat. Meets UL requirements.

Warranty: 12 months from date of purchase.

Important: Installation instructions and current rough-in details should be furnished with each fixture. Do not rough in without certified dimensions. Dimensions are subject to manufacturer's tolerance of +/-10mm.



As improvements in the design and performance of RBA products are continuous, specifications may be subject to change without notice. The illustrations and descriptions herein are applicable to production as of the date of this Technical Data Sheet. Revised 01/10 Printed in Australia © 2010 by RBA Group TD/Model C700/0110