



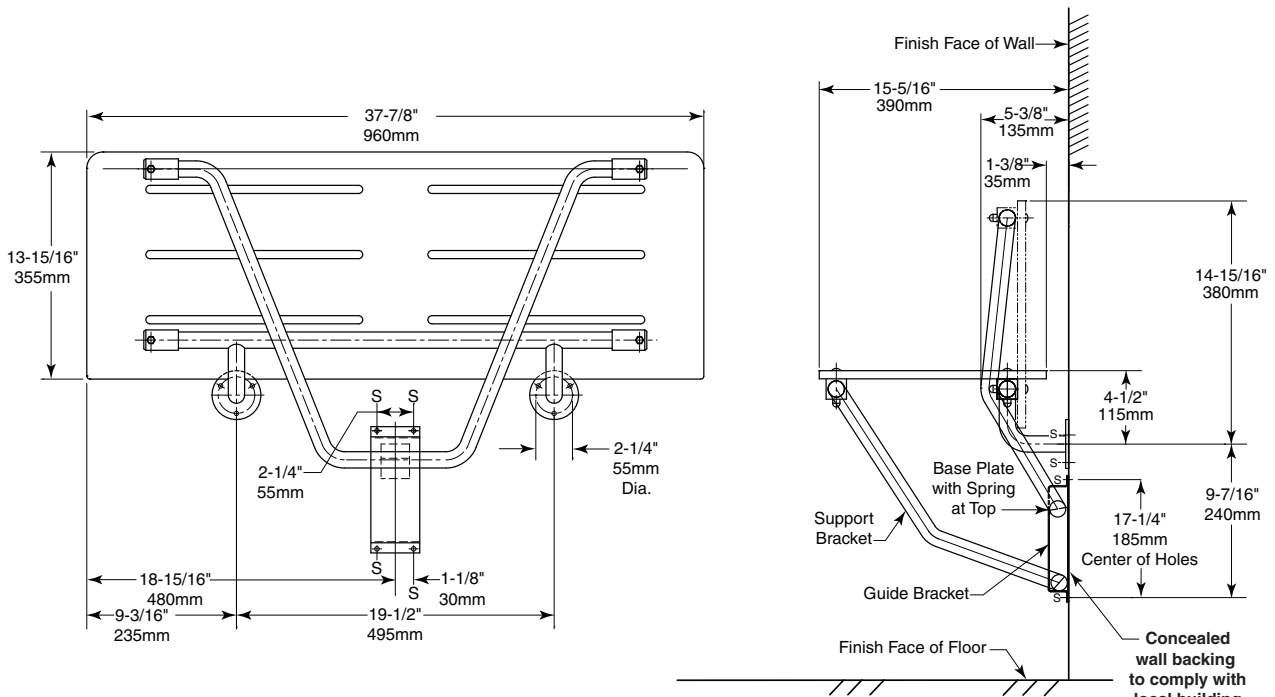
Technical Data

AS1428.1-2001 PHENOLIC FOLDING SHOWER SEAT

817190



2001



*Consult local building codes

Concealed wall backing to comply with local building codes, Not Furnished by Bobrick.

MATERIALS:

Seat — One-piece, 1/2" (13mm) thick, solidly fused plastic laminate with matte-finish melamine surfaces, ivory-colored face sheets, and black phenolic-resin core that are integrally bonded — cannot delaminate. Integral slots for water drainage. Secured to frame with stainless steel carriage bolts and acorn nuts.

Frame — 18-8 S, type-304, stainless steel with satin finish. 16-gauge (1.6mm), 1-1/4" (30mm) square tubing and 18 gauge - (1.2mm), 1" (25mm) diameter seamless tubing.

Mounting Flanges (2) — 18-8 S, type-304, 3/16" (5mm) thick stainless steel with satin finish. 3" (75mm) diameter with three mounting screw holes.

Baseplate — 18-8 S, type-304, heavy-gauge stainless steel.

Spring — 17-7, type-301, 24-gauge (0.6mm) stainless steel. Spot-welded to baseplate.

Guide Bracket — 18-8 S, type-304, 16-gauge (1.6mm) stainless steel with satin finish.