



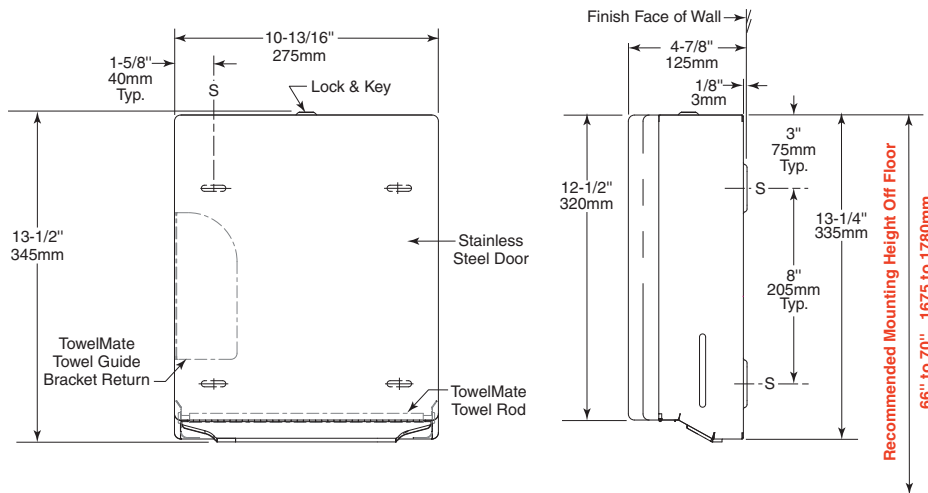
Technical Data

ConturaSeries® SURFACE-MOUNTED PAPER TOWEL DISPENSER

B-4262



Patented



MATERIALS:

Cabinet — 18-8 S, type-304, 22-gauge (0.8mm) stainless steel. All-welded construction. Exposed surfaces have satin finish. Radius on corners of cabinet match corners and edges of door and other Bobrick ConturaSeries washroom accessories. Back has recessed mounting slots to prevent mounting screw heads from snagging towels. Rounded towel tray has hemmed opening to dispense paper towels without tearing. Cabinet inside equipped with 90° return towel guide angle to prevent paper towels from falling forward out when door is opened for servicing. Furnished with internal TowelMate™ towel rod to dispense paper towels one at a time without bulging, sagging, bunching or falling thru opening. Equipped with a semi-recessed tumbler lock keyed like other Bobrick washroom accessories. Capacity: 400 C-fold or 525 multifold paper towels 2-1/2" to 3-13/16" (64–97mm) deep.

Door — 18-8 S, type-304, 22-gauge (0.8mm) stainless steel with satin finish. Drawn, one-piece, seamless construction. Front of door has same degree of arc as other Bobrick ConturaSeries washroom accessories. Radius on corners and edges match corners of cabinet and other ConturaSeries accessories. Secured to cabinet with a full-length stainless steel piano-hinge.

TowelMate™ Towel Rod Assembly — Consisting of a round Nylon Rod and (2) stainless steel Rod Screws for attachment, is field replaceable. Stainless steel Stop Screws (2) lock TowelMate Rod assembly in place.

OPERATION:

Unit dispenses C-fold or multifold paper towels 2-1/2" to 3-13/16" (64–97mm) deep without adjustment or use of adapters. Load paper in towel tray, and then pull one sheet of paper towel over the TowelMate towel rod and out to conceal rod and start dispense. Slots in sides of cabinet indicate refill time. After unlocking with key provided, door swings down for loading paper towels into cabinet.

INSTALLATION:

Mount unit on wall with four #10 x 1-1/4" (4.8 x 32mm) sheet-metal mounting screws (not furnished) at points indicated by an S. For plaster or dry wall construction, provide concealed backing to comply with local building codes, then secure unit with sheet-metal screws. For other wall surfaces, provide fiber plugs or expansion shields for use with sheet-metal screws, or provide 1/8" (3mm) toggle bolts or expansion bolts.

SPECIFICATION:

Surface-mounted paper towel dispenser shall be type-304 stainless steel with all-welded construction; exposed surfaces shall have satin finish. Front of paper towel dispenser door shall have same degree of arc as other Bobrick ConturaSeries washroom accessories in the washroom. Radius on corners and edges of door and cabinet shall complement other Bobrick ConturaSeries washroom accessories. Unit equipped with TowelMate consisting of a 90° return towel guide angle inside cabinet to prevent paper towels from falling forward out when door is opened for servicing and a Nylon Rod across the center of the towel tray to dispense paper towels one at a time without bulging, sagging, bunching or falling thru the opening. Door shall be drawn, one-piece, seamless construction; secured to cabinet with a full-length stainless steel piano-hinge; and equipped with a tumbler lock keyed like other Bobrick washroom accessories. Unit shall be capable of dispensing 400 C-fold or 525 multifold paper towels 2-1/2" to 3-13/16" (64–97mm) deep without adjustment or use of adapters.

Surface-Mounted Paper Towel Dispenser shall be Model B-4262 of Bobrick Washroom Equipment, Inc., Clifton Park, New York; Jackson, Tennessee; Los Angeles, California; Bobrick Washroom Equipment Company, Scarborough, Ontario; Bobrick Washroom Equipment Pty. Ltd., Australia; and Bobrick Washroom Equipment Limited, United Kingdom.