



PYLON SHOWER



Special Features

- *Space Saving Design*
- *Factory Assembled for easy, low cost installation*
- *Individual Valve Control*
- *Vandal Resistant*
- *Type 304 Stainless Steel*

Description

The pylon shower provides an economical space-saving solution. Installation time is dramatically reduced as the shower is factory assembled with 2 to 4 outlets and only one supply connection.

Construction

The Pylon Shower is manufactured from heavy gauge type 304 stainless steel, with all exposed surfaces of satin finish. It incorporates a heavy duty mounting base, access panel held in position by security type screws and soap tray.

The shower is supplied factory fitted with a fixed sprayhead and valve for each user together with a water supply manifold and all internal piping. Models are available to suit 2 to 4 users. An anchor base provides a secure mounting for the column.

Operation

Each user has their own water outlet with a fixed sprayhead and valve. The pylon shower is designed to connect to a single pipe from below supplying single temperature water.

Performance Standards

Turn Tap SBAs carry WATERMARK certification.

AirTrol, self-closing tapware is TYPETEST approved

Number of Users

The Pylon Shower is available to suit 2 to 4 users.

Tapware, Rose and Fittings

Unit is supplied, as standard, with the following:

- Fixed vandal resistant shower rose (one per user).
- Valve adjustable to give between 5 to 60 seconds operation and is factory preset at approximately 45 seconds.
- Water supply manifold with single supply inlet of 20mm diameter copper pipe.

Water Supply and Pressure

A single temperature water supply is required for the column shower. The supply pipe work should be a minimum of 20mm diameter reducing in size within the pylon. For satisfactory operation a minimum water pressure of 120 kpa is required at the point where the supply enters the pylon. For water pressures in excess of 800 kpa a flow control or pressure reducing valve must be fitted. Inlet connection is 20mm BSP.



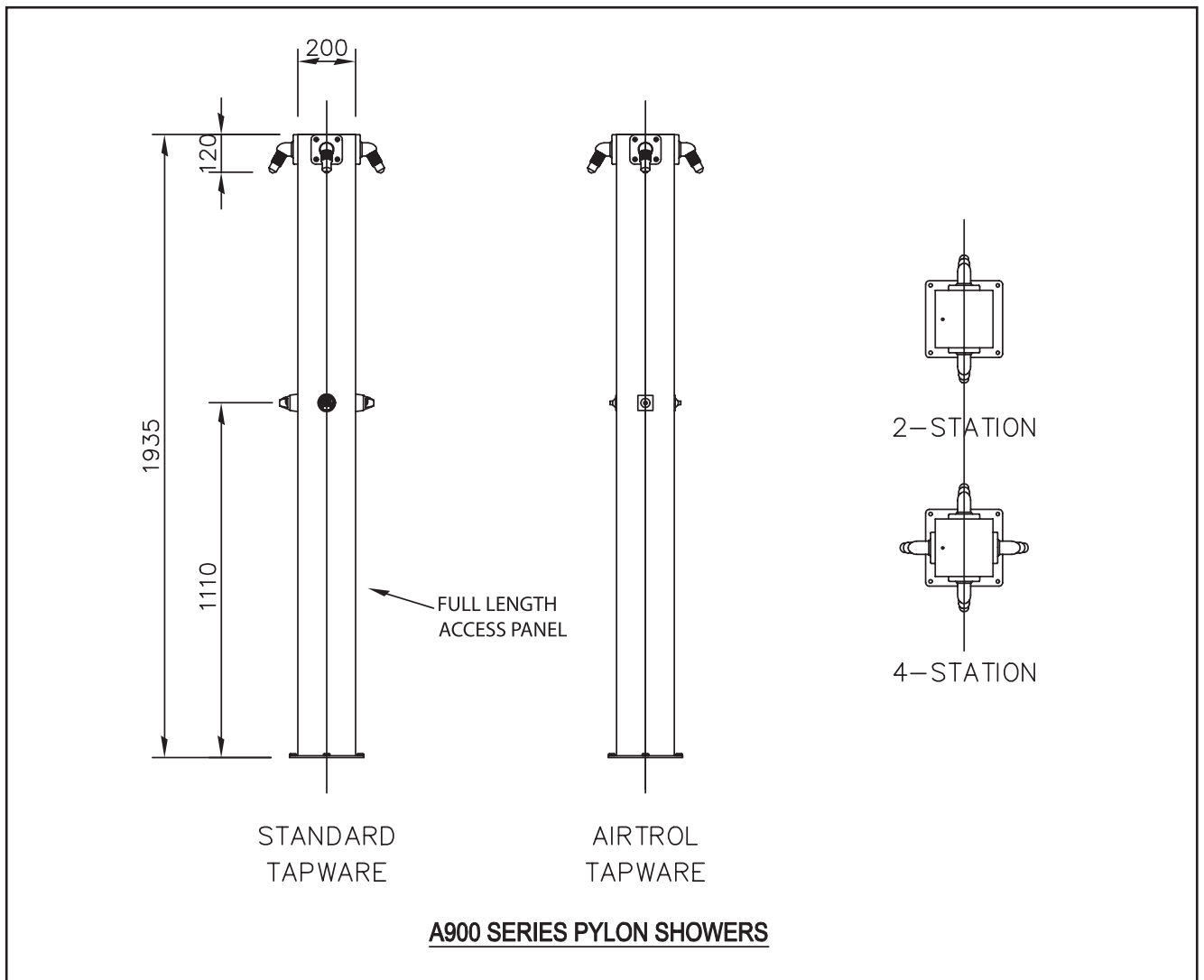
rba

PYLON SHOWER

Options

A926: 2 user with single temperature self-closing Tapware

A946: 4 user with single temperature self-closing Tapware



As improvements in the design and performance of RBA products are continuous, specifications may be subject to change without notice.