

A8889-3-EB Curvalinear™ Triple User Basin with Trap Cover

Materials

Countertop & Basin: Constructed of heavy gauge, type 304 stainless steel with satin finish. Three seamless D shape bowls are deep drawn into the countertop. Integral backsplash and frame all have fully welded, seamless corners. A 35mm diameter tap hole is centred behind the basins, on the countertop. Basins are designed to accept standard 40mm waste outlet.

Trap Cover: Where specified the trap covers (Option – EB) are made of heavy gauge, type 304 stainless steel with satin finish. Security screws and captive nuts for mounting the cover are provided.

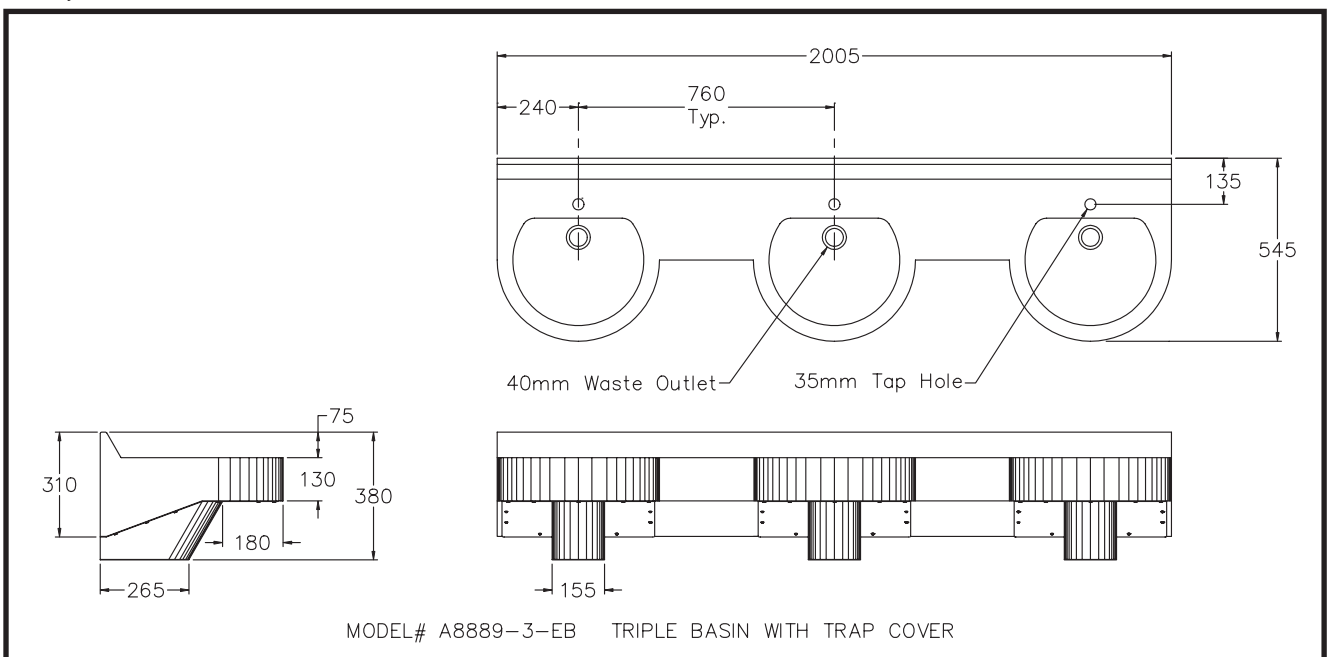
Taps and Waste Piping: not furnished

Designers Note: When using in disabled area ensure the taps selected will meet requirements of AS1428.1

Installation

Ensure wall construction is suitable to support the unit. Mount unit to wall with S-clip brackets provided and through twelve fixing holes. Fixings screws not furnished. Basin rim is typically mounted 864mm above FFL. Refer disabled code for mounting requirements where basin is for disabled use. Adjust height to suit application if required (ie Disabled or children’s use). Refer Installation Instructions for location of fixing points, trap outlet location etc. (A low level P trap should be used).

Important: Installation instructions and current rough-in details should be furnished with each fixture. Do not rough in without certified dimensions. Dimensions are subject to manufacturer’s tolerance of +/-10mm.



MODEL# A8889-3-EB TRIPLE BASIN WITH TRAP COVER

As improvements in the design and performance of RBA products are continuous, specifications may be subject to change without notice.