



rba

CURVALINEAR™ SERIES STAINLESS STEEL WASHBASINS



A8889-1 Curvalinear™ Single User Basin



A8889-1-EB Curvalinear™ Single User Basin with Trap Cover

Materials

Countertop & Basin: Constructed of heavy gauge, type 304 stainless steel with satin finish. Seamless D shape bowl is deep drawn into the countertop. Integral backsplash and frame all have fully welded, seamless corners. A 35mm diameter tap hole is centred behind the basin, on the countertop. Basin is designed to accept standard 40mm waste outlet.

Trap Enclosure: Where specified the trap cover (Option – EB) is made of heavy gauge, type 304 stainless steel with satin finish. Security screws and captive nuts for mounting the cover are provided.

Taps and Waste Piping: not furnished

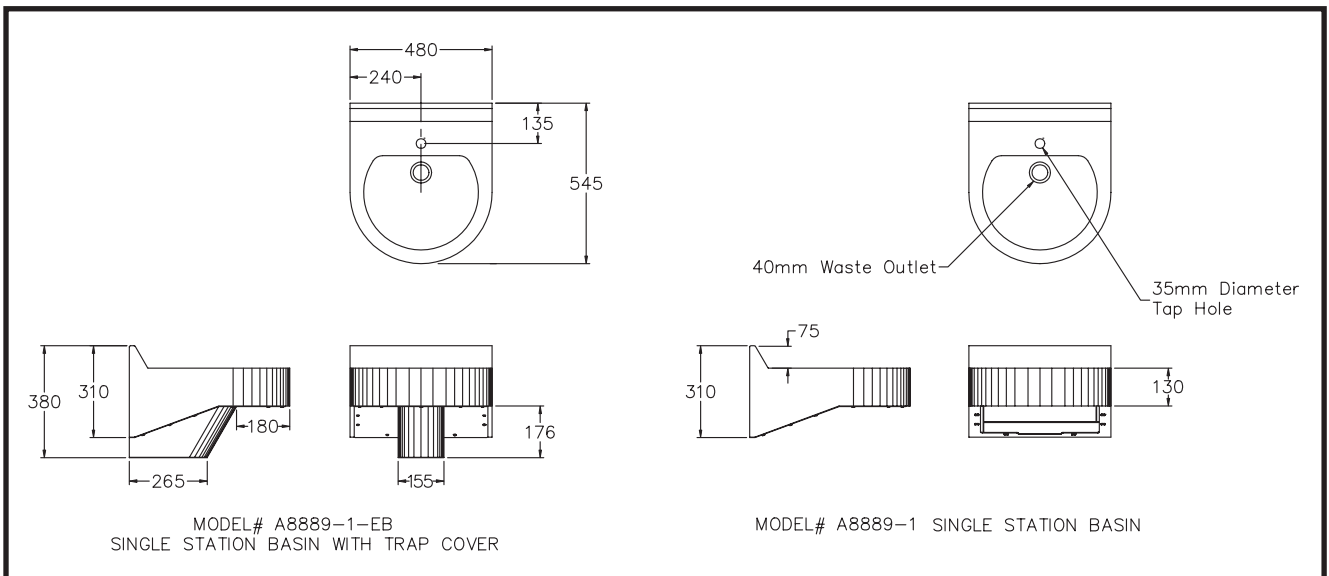
Designers Note: For increased vandal resistance, specify Model # A8889-1-EB Curvalinear™ Single User Basin with Trap Cover to enclose and conceal under-bench piping.

When using in disabled area ensure the taps selected will meet requirements of AS1428.1

Installation

Ensure wall construction is suitable to support the unit. Mount unit to wall with S-clip brackets provided and through four fixing holes (two on either side of the internal frame). Fixings screws not furnished. Basin rim is typically mounted 864mm above FFL. Refer disabled code for mounting requirements where basin is for disabled use. Adjust height to suit application if required (ie Disabled or children’s use). Refer Installation Instruction for location of fixing points, trap outlet location etc. (A low level P trap should be used).

Important: Installation instructions and current rough-in details should be furnished with each fixture. Do not rough in without certified dimensions. Dimensions are subject to manufacturer’s tolerance of +/-10mm.



MODEL# A8889-1-EB
SINGLE STATION BASIN WITH TRAP COVER

MODEL# A8889-1 SINGLE STATION BASIN

As improvements in the design and performance of RBA products are continuous, specifications may be subject to change without notice. The illustrations and descriptions herein are applicable to production as of the date of this Technical Data Sheet. Revised 05/08 Printed in Australia © 2008 by RBA Group Pty Ltd TD/Model A8889-1/A8889-1-EB/0508