



rba

BUDGET STAINLESS STEEL BASIN – FRONT FIXED



Special Features

- Hygienic vandal resistant design
- No gaps or crevices for concealment of contraband
- Integral undershroud to conceal pipework
- Front fixed

Model A8888-FA shown

Description

Hygienic, vandal resistant design manufactured from heavy duty 1.6mm thick type 304 stainless steel – satin finish.

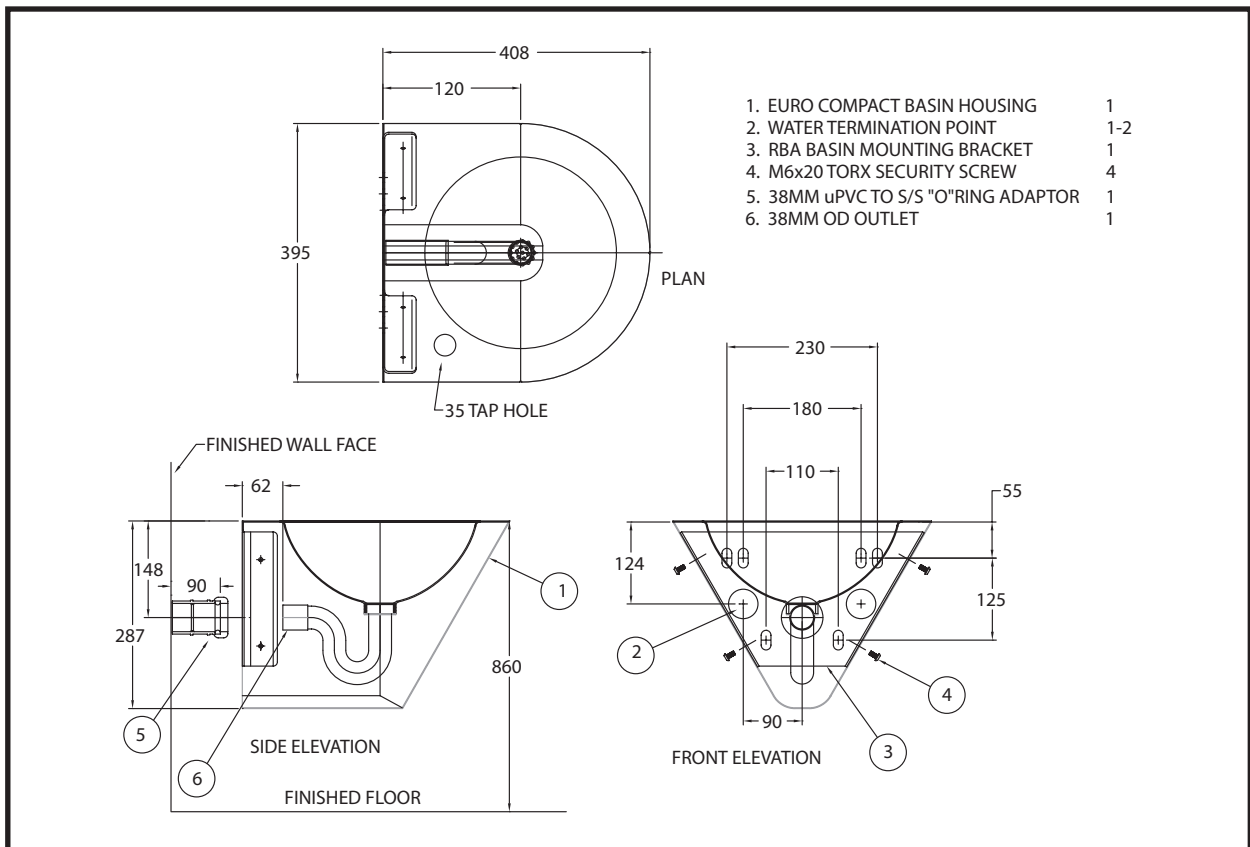
Unit is designed for front fixing, and is supplied with a single 35 diam tap hole, suitable for mixer type tap.

Installation

Supplied with heavy gauge mounting bracket, security fixing screws and “O” ring waste connection fitting. The unit is front fixed, with bolts and anchors to be supplied by others.

Outlet Connections

Basin is supplied complete with 40mm integral trap and “O” ring adaptor for connection to 40mm dwv plastic pipe.



As improvements in the design and performance of RBA products are continuous, specifications may be subject to change without notice.
 The illustrations and descriptions herein are applicable to production as of the date of this Technical Data Sheet. Revised 08/08 Printed in Australia
 © 2008 by RBA Group Pty Ltd TD/Model A8888-FA/0808