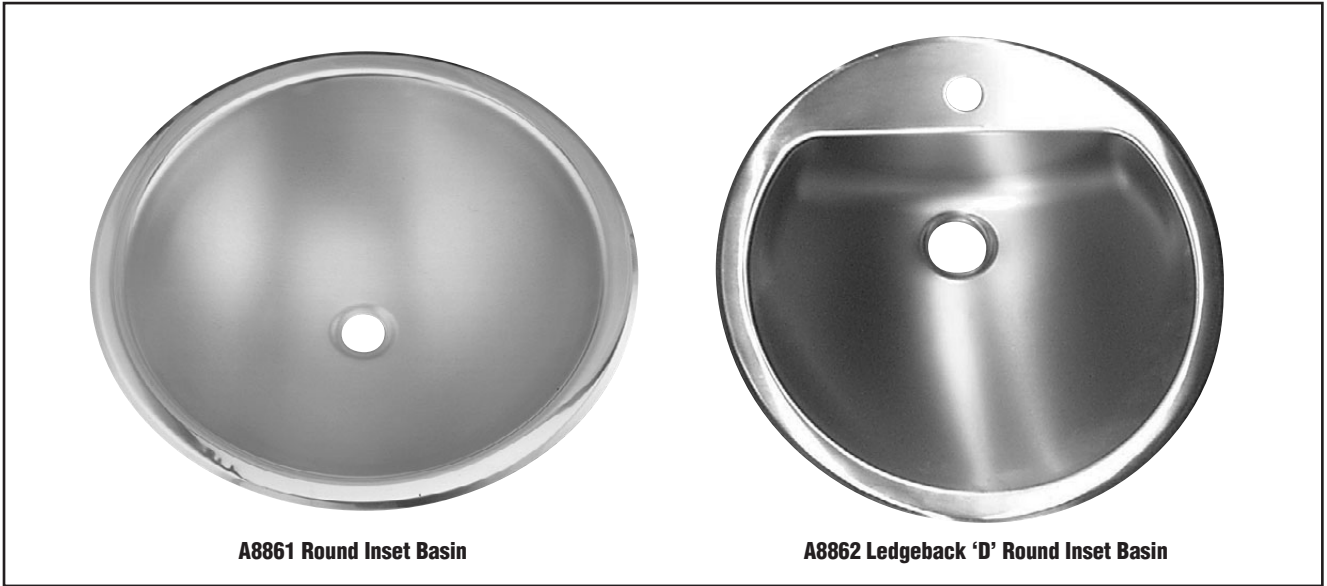




rba

INSET BASINS



Materials

Constructed in one piece from type 304 stainless steel, with the internal surface and rim in satin finish. Supplied as standard are a 40mm waste outlet and fixing toggles.

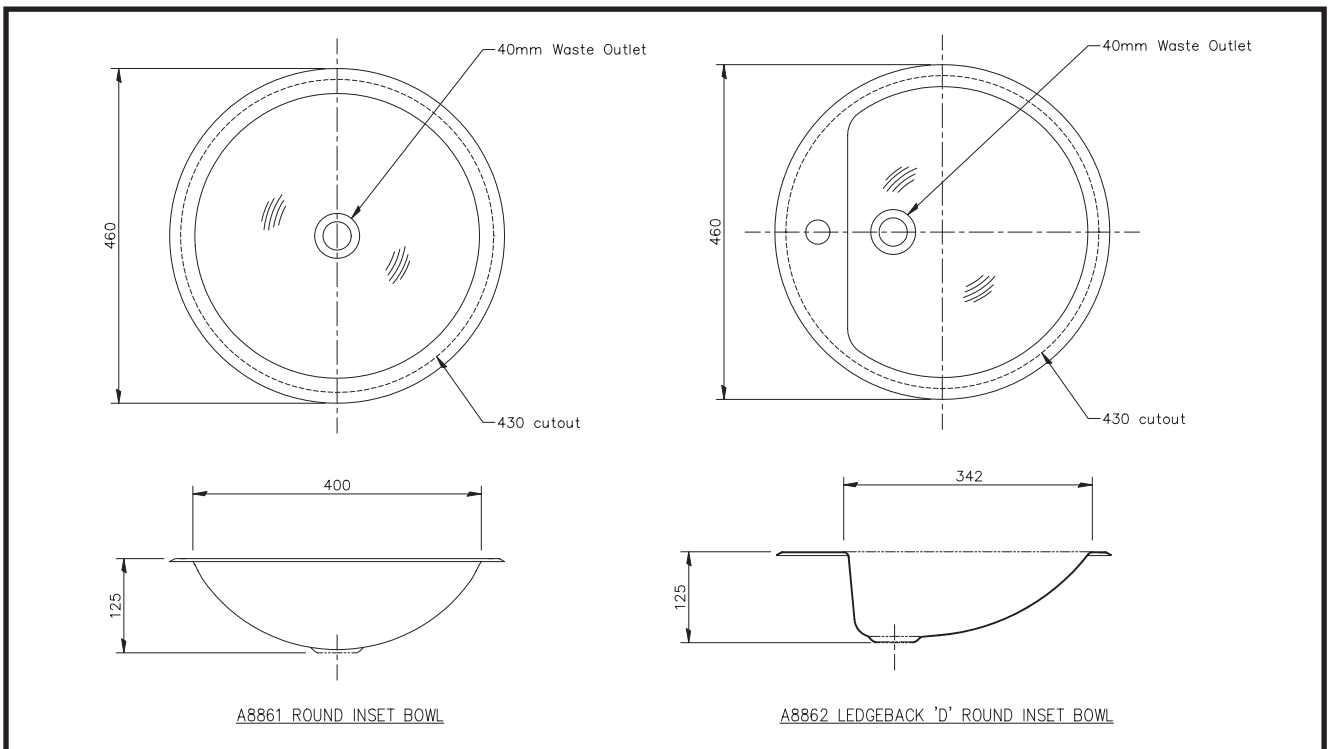
Tap Hole: A8861: Tap hole unavailable

A8862: Unit comes with 35mm hole for mounting tapware. Tapware supplied by others.

Installation

Designed for inseting into countertops up to 30mm thick. Provide cutout 430mm [Dia]. Fixing toggles are supplied for securing into position. Inset basin may need site adjustment following shipment. Adjust as required and seal with silicon as required. Tapware, waste piping and trap by others.

Important: Installation instructions and current rough-in details should be furnished with each fixture. Do not rough in without certified dimensions. Dimensions are subject to manufacturer's tolerance of +/-10mm.



As improvements in the design and performance of RBA products are continuous, specifications may be subject to change without notice. The illustrations and descriptions herein are applicable to production as of the date of this Technical Data Sheet. Revised 05/08 Printed in Australia © 2008 by RBA Group Pty Ltd TD/Model A8861/A8862/0508