



rba

WALL-FACED WC PAN WITH P-TRAP OUTLET - FRONT FIXED



Materials & Features

Wall faced WC Pan is manufactured from heavy-gauge, type 304 stainless steel. External surface is satin finish. Internal surface is ultra-smooth finish that is hygienic, easy to clean and resistant to scale build-up.

Trap: Seamless one-piece smooth bore trap with radiused bends. Formed with a minimum 50mm deep water seal

Outlet: 100mm overall P-Trap outlet suitable for a standard pan collar.

Inlet: Back inlet, 55mm internal diameter water inlet socket, to accept standard key seal.

Fixings: Furnished with concealed wall-mounting frame. To order tool to suit security screws, quote model #A111-00.

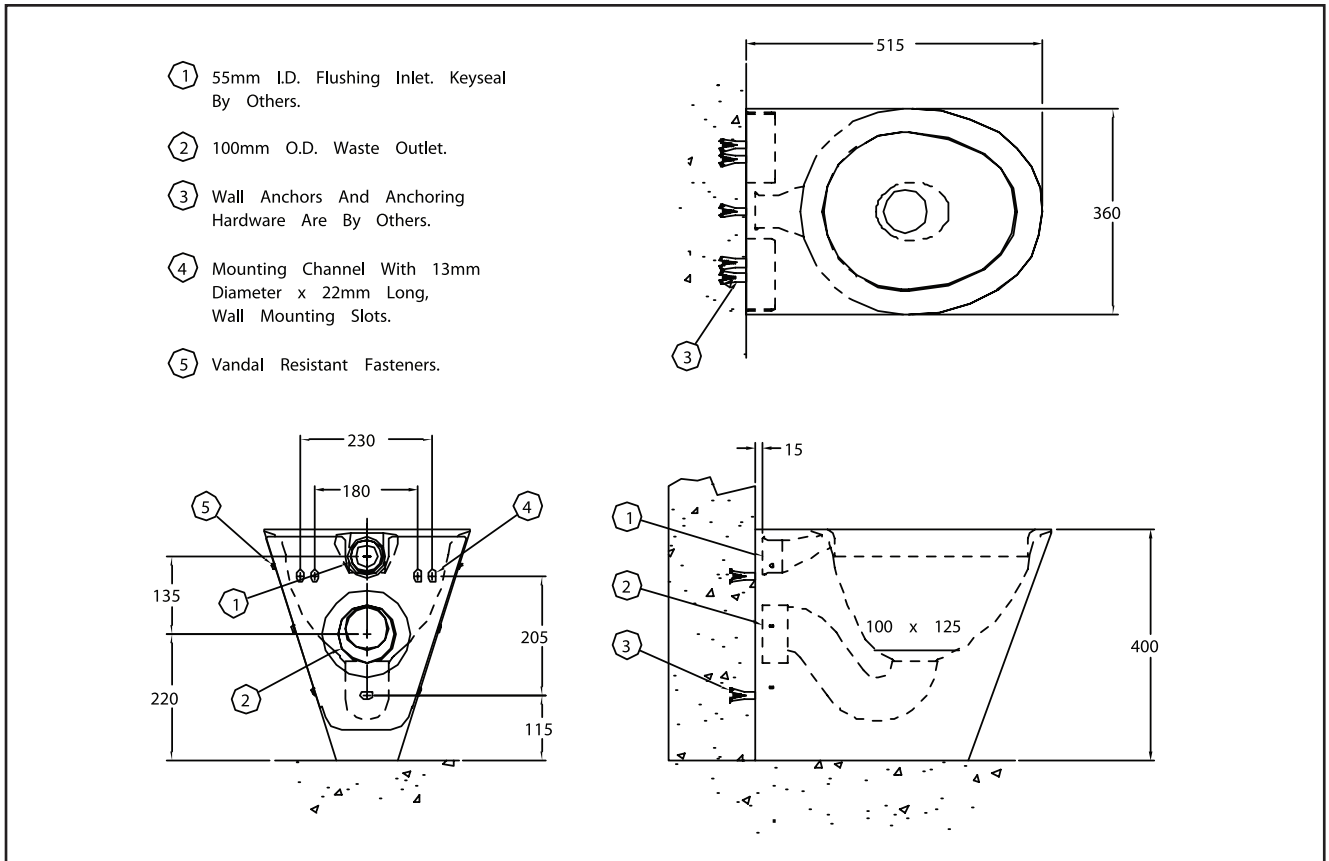
Performance Standards



Installation

Ensure wall construction is suitable to support the unit. Unit is fixed to wall-mounting frame with security screws provided. Anchors for wall-mounting frame to be supplied by others. Suitable for installing with a Geberit Compact in-wall cistern or RBA flush valve (see RBA Group Flush Valve Catalog). Refer Installation Instruction for location of fixing points, trap outlet location, etc.

Important: Installation instructions and current rough-in details should be furnished with each fixture. Do not rough in without certified dimensions. Dimensions are subject to manufacturer's tolerance of +/-10mm.



As improvements in the design and performance of RBA products are continuous, specifications may be subject to change without notice. The illustrations and descriptions herein are applicable to production as of the date of this Technical Data Sheet. Revised 05/08 Printed in Australia © 2008 by RBA Group Pty Ltd TD/Model A8843-FM/0508