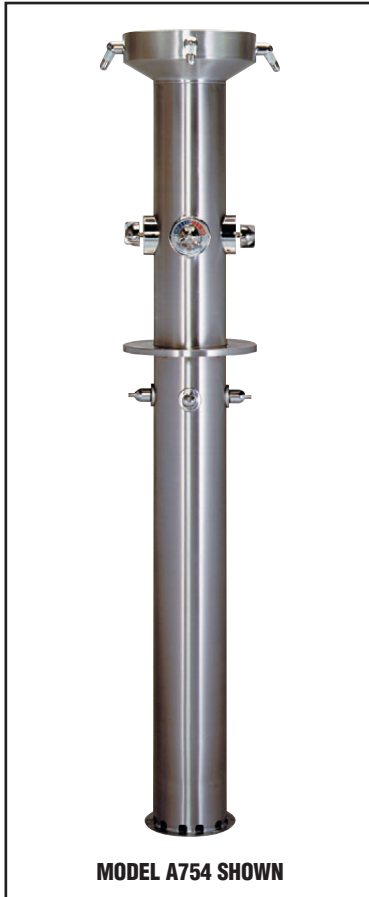


## **COLUMN SHOWER**



### **Special Features**

- *Space Saving Design*
- *Factory Assembled for easy, low cost installation*
- *Individual Valve Control*
- *Vandal Resistant*
- *Type 304 Stainless Steel*

### **Description**

The column shower provides an economical space-saving solution. Installation time is dramatically reduced as the shower is factory assembled with 4 to 6 outlets and only one supply connection.

### **Construction**

The Column Shower is manufactured from heavy gauge type 304 stainless steel, with all exposed surfaces of satin finish. It incorporates a heavy duty mounting base with integral drain slots, access panel held in position by security type screws and soap tray.

The shower is supplied factory fitted with a fixed sprayhead and valve for each user together with a water supply manifold and all internal piping. Models are available to suit 4, 5 or 6 users. A cast iron drain anchor base provides a secure mounting for the column.

### **Operation**

Each user has their own water outlet with a fixed sprayhead and valve. The column shower is designed to connect to a single pipe, from below or above, supplying temperature controlled warm water. An optional overhead

telescopic shroud is available to conceal pipe work from above.

### **Performance Standards**

Turn Tap SBAs carry WATERMARK certification.

AirTrol, self-closing tapware is TYPETEST approved

### **Number of Users**

The Column Shower is available to suit 4, 5 or 6 users.

### **Tapware, Rose and Fittings**

Unit is supplied, as standard, with the following:

- Fixed vandal resistant shower rose (one per user).
- Push button timed-flow valve adjustable to give between 5 to 60 seconds operation (one per user). Valve is factory preset at approximately 45 seconds.
- Circular Stainless steel self-draining soap tray.
- Water supply manifold with single supply inlet of 20mm diameter copper pipe.
- Cast iron drain anchor base with a 112mm overall diameter vertical outlet spigot. Dome grated drain cover.

### **Water Supply and Pressure**

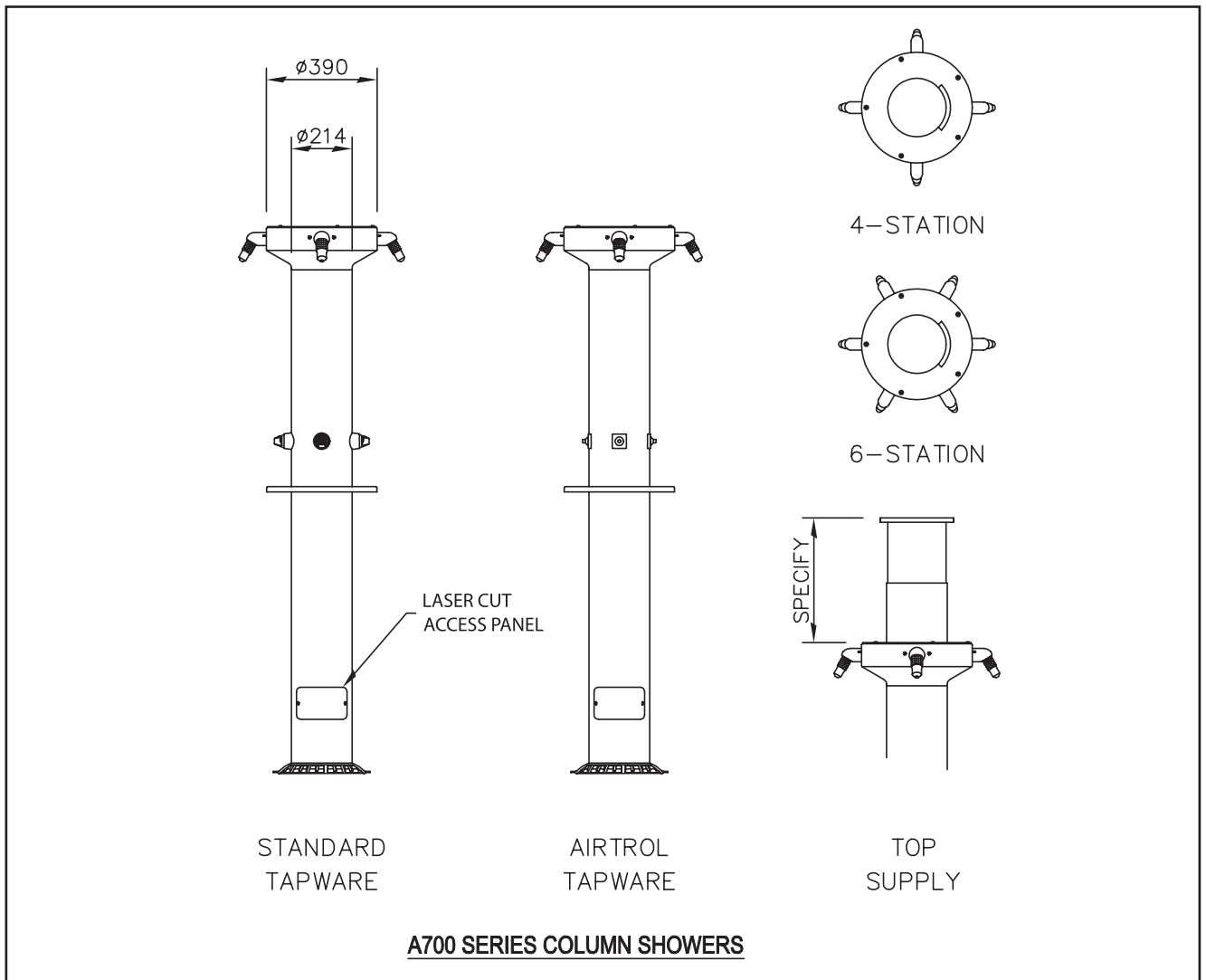
A temperature controlled water supply is required for the column shower. The supply pipe work should be a minimum of 20mm diameter reducing in size within the column. For satisfactory operation a minimum water pressure of 120 kpa is required at the point where the supply enters the column. For water pressures in excess of 800 kpa a flow control or pressure reducing valve must be fitted.



# COLUMN SHOWER

## Product Code Selection for Order or Quotation

1. Base Product Code  
A7\_ \_ Series Column Shower
  2. Number of Users  
-4 Four person  
-5 Five person  
-6 Six person
  3. Valves  
-01 H & C Ceramic Disc On/Off Tap (optional)  
-05 Single Temp Ceramic Disc Tap (optional)  
-06 Single Timed Flow Push Button Valve (standard)
  4. Water Supply  
-BS Bottom  
-TS Top
  5. Options  
-SC Stainless Steel Supply Cover (for top supply specify ceiling height)
- Standard: A746-BS = Column Shower, 6-user, with single temp self-closing AirTrol Tapware and Bottom Supply.



As improvements in the design and performance of RBA products are continuous, specifications may be subject to change without notice.