



# VANDAL & SUICIDE RESISTANT RECESSED TOILET ROLL HOLDERS



### Materials

Constructed of heavy gauge, type 304, 2mm stainless steel with satin finish. One-piece seamless construction with bevelled flange to form tight fit between rim and wall.

### Installation

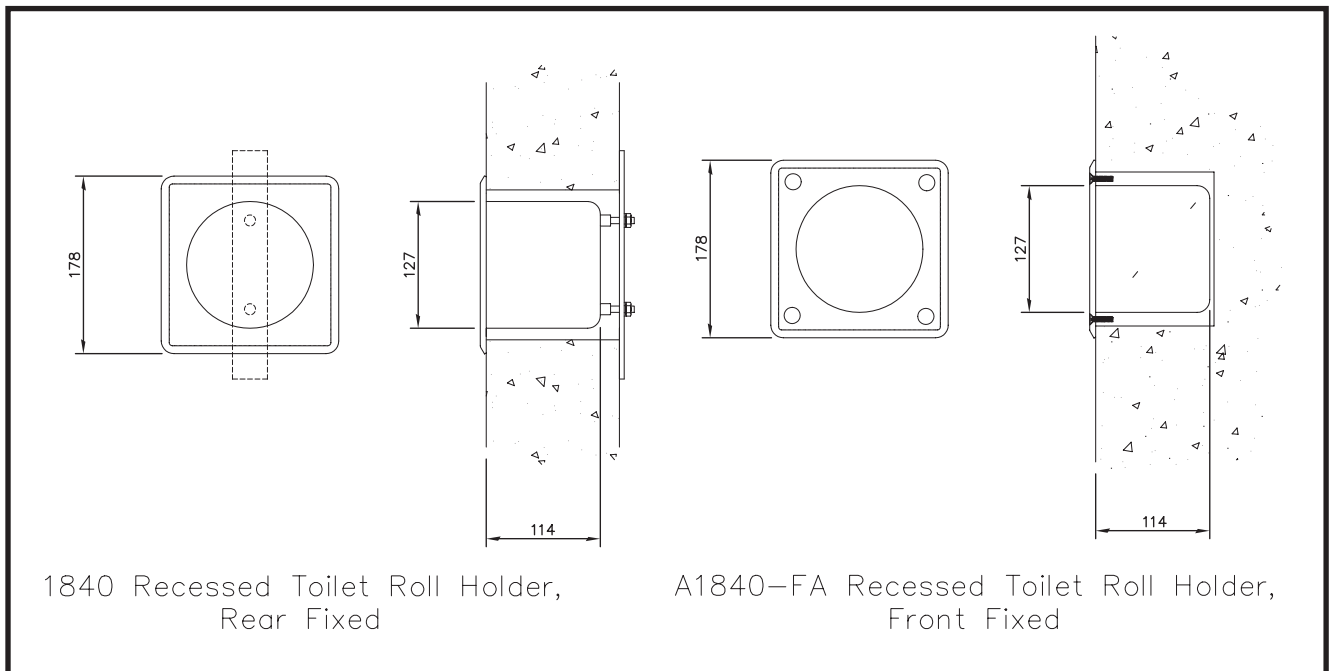
Ensure wall construction is suitable to support the unit. Should be positioned in a suitable position to avoid contamination when toilet bowl is used as a urinal. Provide rough wall opening 133mm [Dia]

A1840: Furnished with welded nuts on back, coated heavy steel back-plate and threaded rods to pull unit snugly to wall. For rear fixing only

A1840-FA: Countersunk drill-holes to accommodate wall fixings. Furnished with tamper-resistant screws. For front fixing only

A1840	Rough Wall Opening - 133mm Diameter
A1840-FA	Rough Wall Opening - 133mm Diameter

**Important:** Installation instructions and current rough-in details should be furnished with each fixture. Do not rough in without certified dimensions. Dimensions are subject to manufacturer's tolerance of +/-10mm.



As improvements in the design and performance of RBA products are continuous, specifications may be subject to change without notice. The illustrations and descriptions herein are applicable to production as of the date of this Technical Data Sheet. Revised 05/08 Printed in Australia © 2008 by RBA Group Pty Ltd TD/Model A1840/A1840-FA/0508