



rba

RECESSED SOAP DISHES



Pictured: A1832 Recessed Soap Dish [Rear Fixed]
Also Available: A1832-FA Recessed Soap Dish [Front Fixed]

Materials

Constructed of heavy gauge, type 304 stainless steel with satin finish. One-piece seamless construction with bevelled flange to form tight fit between rim and wall. Raised dimples to provide air circulation around soap bar, keeping it dry.

Installation

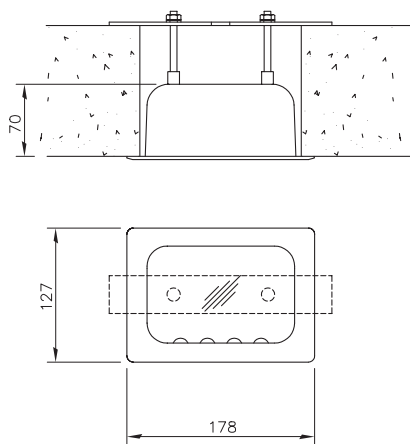
Ensure wall construction is suitable to support the unit.

A1832: Furnished with welded nuts on back, coated heavy steel back-plate and threaded rods to pull unit snugly to wall. For rear fixing only

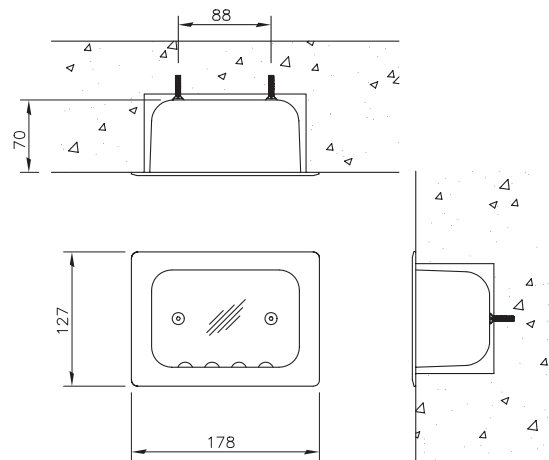
A1832-FA: Drilled to accommodate wall fixings. Wall fixings to be supplied by others. For front fixing only

Rough Wall Opening - 149mm [W], 98mm [H], 76mm minimum recessed depth

Important: Installation instructions and current rough-in details should be furnished with each fixture. Do not rough in without certified dimensions. Dimensions are subject to manufacturer's tolerance of +/-10mm.



A1832 Recessed Soap Dish
– Rear Fixed



A1832-FA Recessed Soap Dish
– Front Fixed

As improvements in the design and performance of RBA products are continuous, specifications may be subject to change without notice. The illustrations and descriptions herein are applicable to production as of the date of this Technical Data Sheet. Revised 05/08 Printed in Australia © 2008 by RBA Group Pty Ltd TD/Model A1832/A1832-FA/0508