



rba

STAINLESS STEEL FRAMED MIRROR



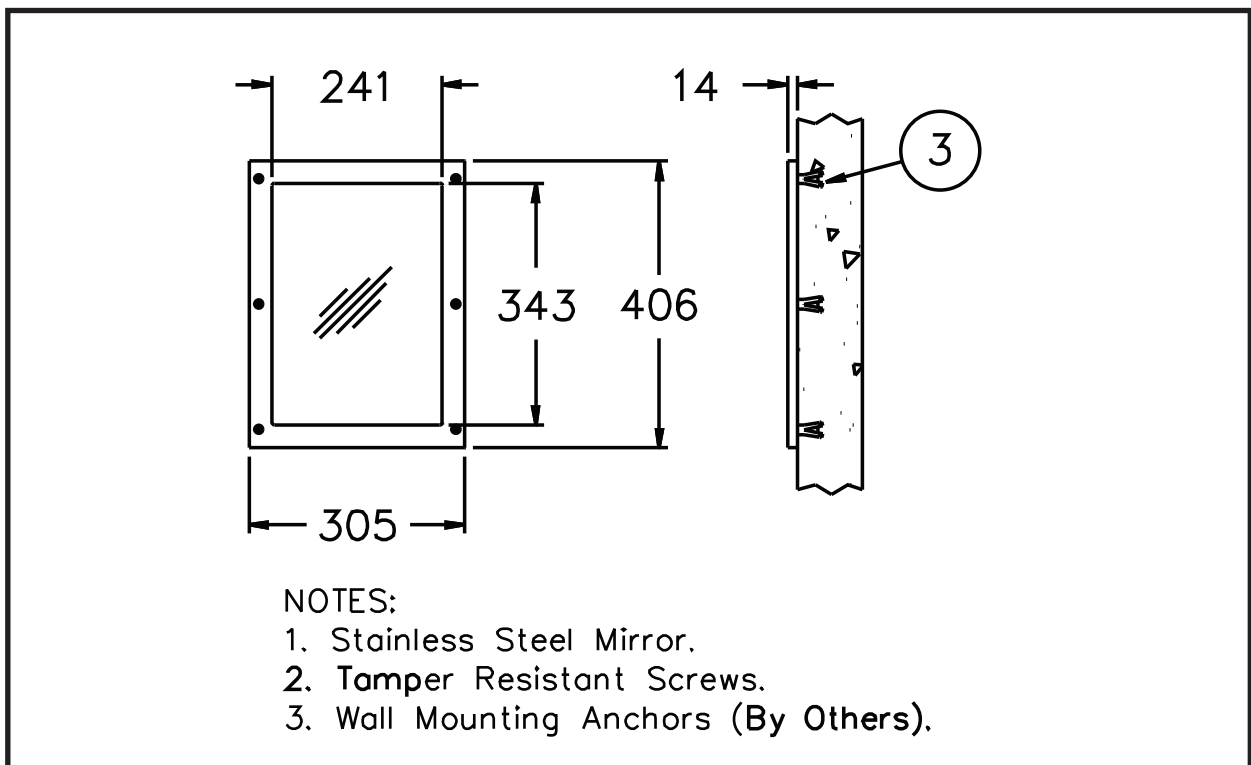
Description

The RBA Framed Mirror is designed for use in all areas where Mirrors are subject to breakage and theft.

Model RBA1811 Framed Mirror is front mounted. Mirror features a seamless heavy gauge, type 304 stainless steel frame. Frame is polished to a satin finish. Mirror frame has countersunk screw holes and is furnished with six 1/4" tamper-resistant screws. Wall plugs by others.

Installation

Stainless Steel Mirror is standardly furnished for all mirrors. It is reinforced with 1/2" thick masonite backing. Mirror is type 400 stainless steel polished to a mirror finish.



As improvements in the design and performance of RBA products are continuous, specifications may be subject to change without notice. The illustrations and descriptions herein are applicable to production as of the date of this Technical Data Sheet. Revised 09/09 Printed in Australia © 2009 by RBA Group Pty Ltd TD/Model RBA1811/0909