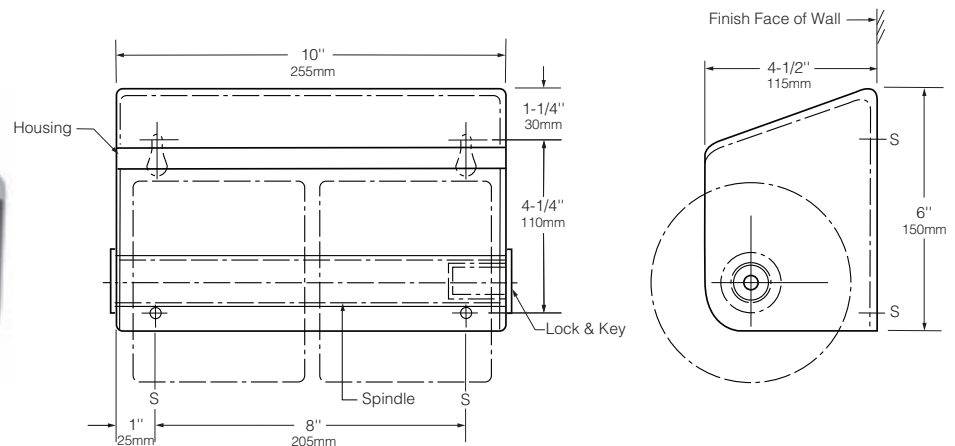




Technical Data

A1113-KL VANDAL-RESISTANT DOUBLE-ROLL TOILET TISSUE DISPENSER



MATERIALS:

Housing — 18-8 S, type-304, heavy-gauge stainless steel. All-welded construction. Exposed surfaces have satin finish.

Spindle — 18-8 S, type-304, heavy-gauge stainless steel. Equipped with a tumbler lock.

OPERATION:

Dispenser accommodates two standard-core toilet tissue rolls up to 150mm diameter (2000 sheets). Lock secures spindle in place.

INSTALLATION:

Install toilet tissue dispenser by using tissue housing as a template. Mark wall to locate (4) 6.3mm anchors (not furnished). Mount tissue housing using (4) mounting screws provided by manufacturer.

Remove spindle from housing by holding key lock flange in place so that it cannot rotate. Insert key into the lock, push and turn key 180° clockwise. Release the key lock flange. Remove the key lock assembly by pulling out with the key. Slide spindle part way out, to install up to (2) rolls of toilet tissue. To load the dispenser, slide spindle back into housing and remove the key from the key lock assembly. Bullet catch must be in the up position. Hold closed end of spindle against housing. Insert lock assembly into open end of spindle and engage the bullet catch.

SPECIFICATION:

Double-roll toilet tissue dispenser shall have a heavy-duty type-304 stainless steel housing with satin finish. Spindle shall be equipped with a tumbler lock to secure spindle in place. Spindle shall be type-304 stainless steel. Unit shall accommodate two standard-core toilet tissue rolls up to 150mm diameter (2000 sheets). Manufacturer's service and parts manual shall be provided to the building owner/manager upon completion of project.

Double-Roll Toilet Tissue Dispenser shall be Model A1113-KL of Bobrick Washroom Equipment, Inc., Clifton Park, New York; Jackson, Tennessee; Los Angeles, California; Bobrick Washroom Equipment Company, Scarborough, Ontario; Bobrick Washroom Equipment Pty, Ltd., Australia; and Bobrick Washroom Equipment Limited, United Kingdom.