

‘CURVALINEAR’ SINGLE TRAP COVER + J SPOUT & AIR CONTROL VALVE



Special Features

- Hygienic vandal resistant design
- Seamless round bowl
- Includes 6 star WELS rated tapware

Description

Heavy Duty, hygienic, vandal resistant design constructed from heavy gauge, type 304 stainless steel with satin finish. Seamless round bowl.

Installation

Basin is front fixed via an in-built fixing bracket, with fixings supplied by others. A separate “S” clip bracket is provided to mount and secure the top of the basin.

The basin is supplied complete with vandal resistant deck mounted “J” spout, and self closing Air Control Valve which is pneumatically operated by the front mounted push button.

Valve and spout supplied loose, fitted by others on site.

Hydraulic Requirements

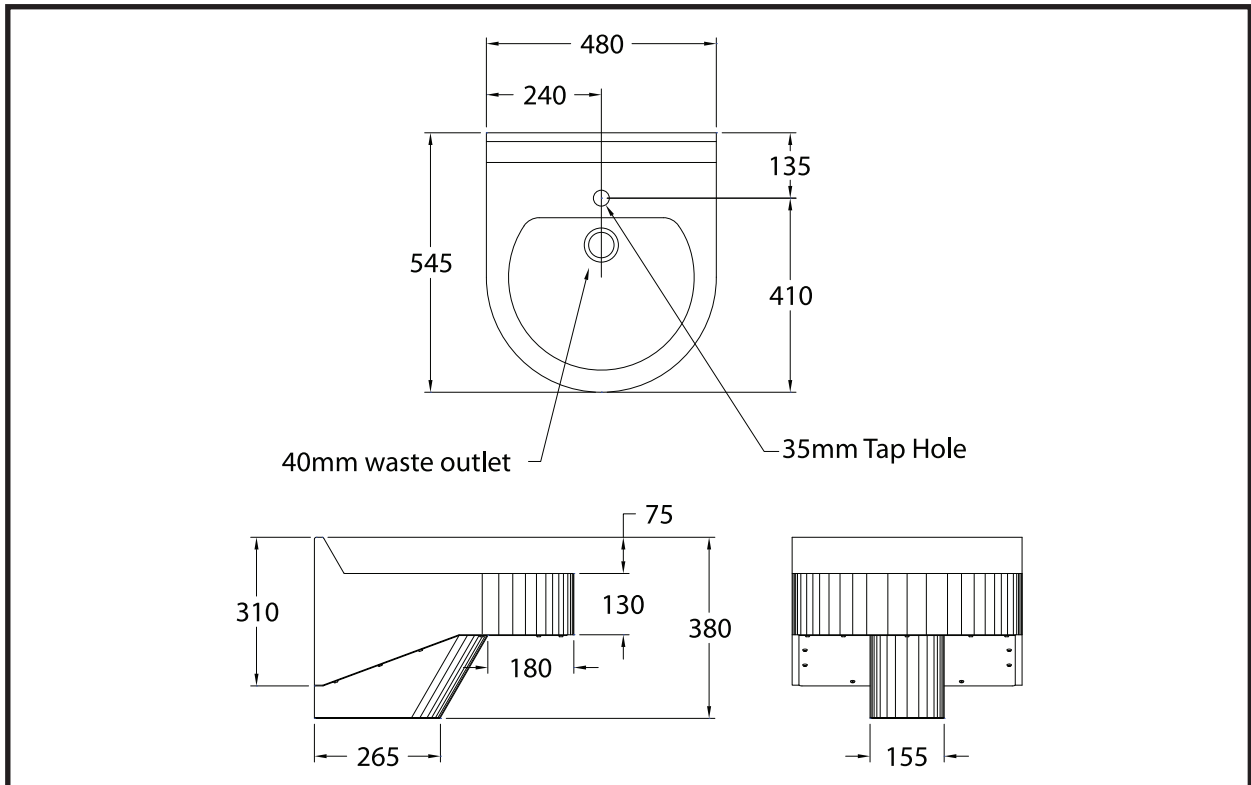
Inlet: 15mm BSP (Braided S/S Hose connection provided)

Outlet: 40mm BSP Waste Outlet provided by others (Suit 40mm Hardies LLP Trap)

Flow Time: Valve is adjustable at time of installation, up to 50 seconds.

Flow Rate: 1.9 L/M

For more valve detail see “Air Control Valve Installation Instructions”.



As improvements in the design and performance of RBA products are continuous, specifications may be subject to change without notice. The illustrations and descriptions herein are applicable to production as of the date of this Technical Data Sheet. Revised 01/10 Printed in Australia © 2010 by RBA Group TD/Model A8889-1-EB-TDIS/0110