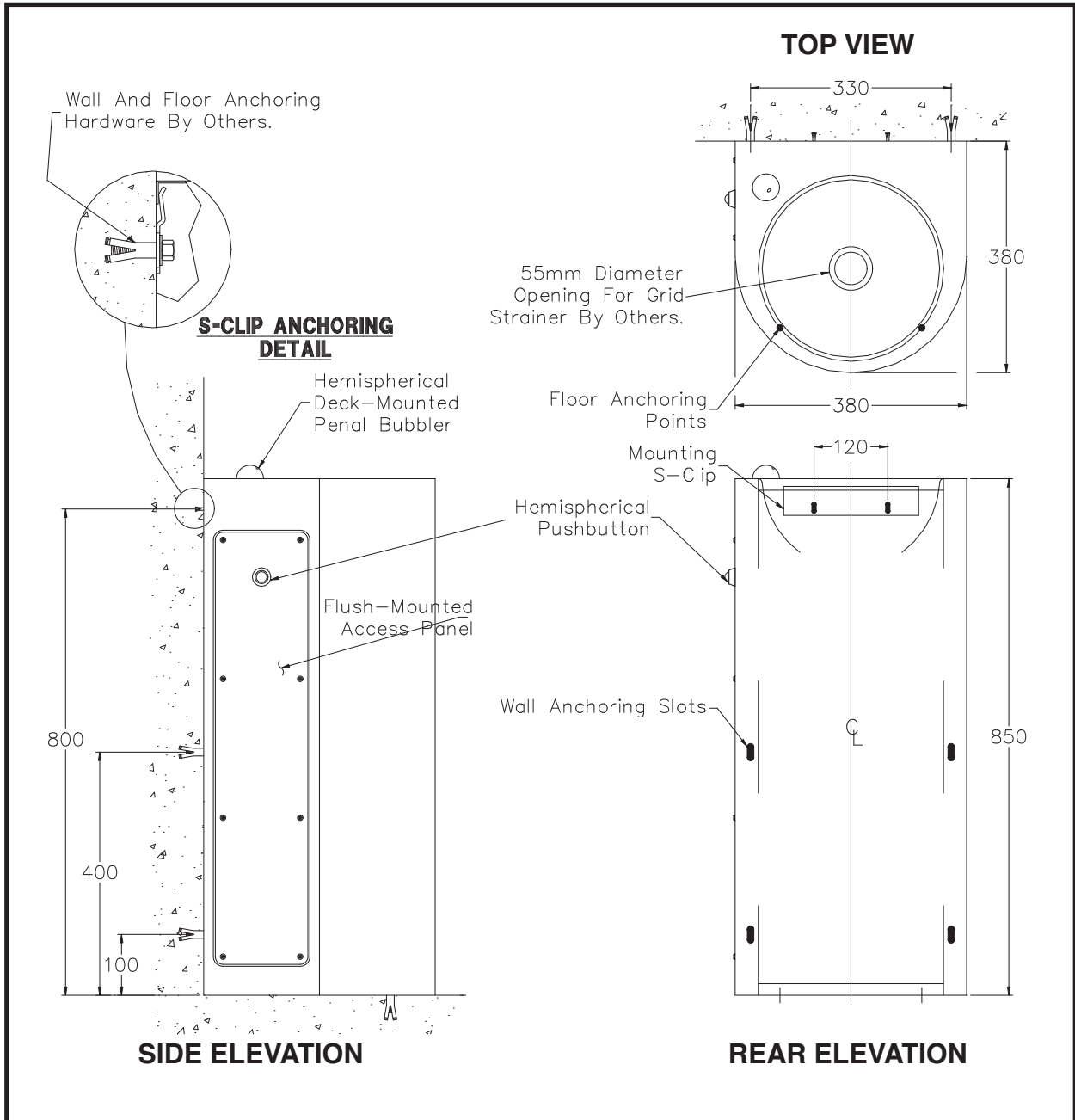




**rba**

# FRONT ACCESS ON-FLOOR WASH BASIN

Front access on-the-floor wash basin manufactured from 1.6mm type 304 stainless steel with exterior polished to a satin finish. Unit is front mounted design with floor and wall anchoring points. Anchor and anchoring hardware by others. Unit includes deck-mounted hemispherical bubbler for connection to single temperature metering valve wall-mounted inside cabinet. Unit has a removable flush-mounted stainless steel access panel on one side with hemispherical pushbutton mounted on it. Panel is held in place with security screws. Must specify panel and bubbler location where indicated.



As improvements in the design and performance of RBA products are continuous, specifications may be subject to change without notice. The illustrations and descriptions herein are applicable to production as of the date of this Technical Data Sheet. Revised 09/09 Printed in Australia © 2009 by RBA Group Pty Ltd TD/Model RBA8881/0909