

WALL HUNG WC PAN WITH P-TRAP OUTLET – REAR FIXED



A8832 Wall Hung WC Pan

Materials & Features

Wall hung WC Pan is manufactured from heavy-gauge, type 304 stainless steel. External surface is satin finish. Internal bowl surface is a unique matt satin ultra-smooth finish that is hygienic, easy to clean and resistant to scale build-up. The integral seat is bright polished for hygiene and comfort. Unit is mounted off the floor for ease of cleaning.

Trap: Seamless one-piece smooth bore trap with radiused bends. Formed with a minimum 50mm deep water seal

Outlet: 100mm overall P-Trap outlet suitable for a standard pan collar.

Inlet: Back inlet, 55mm internal diameter water inlet socket, to accept standard key seal [key seal supplied by others]

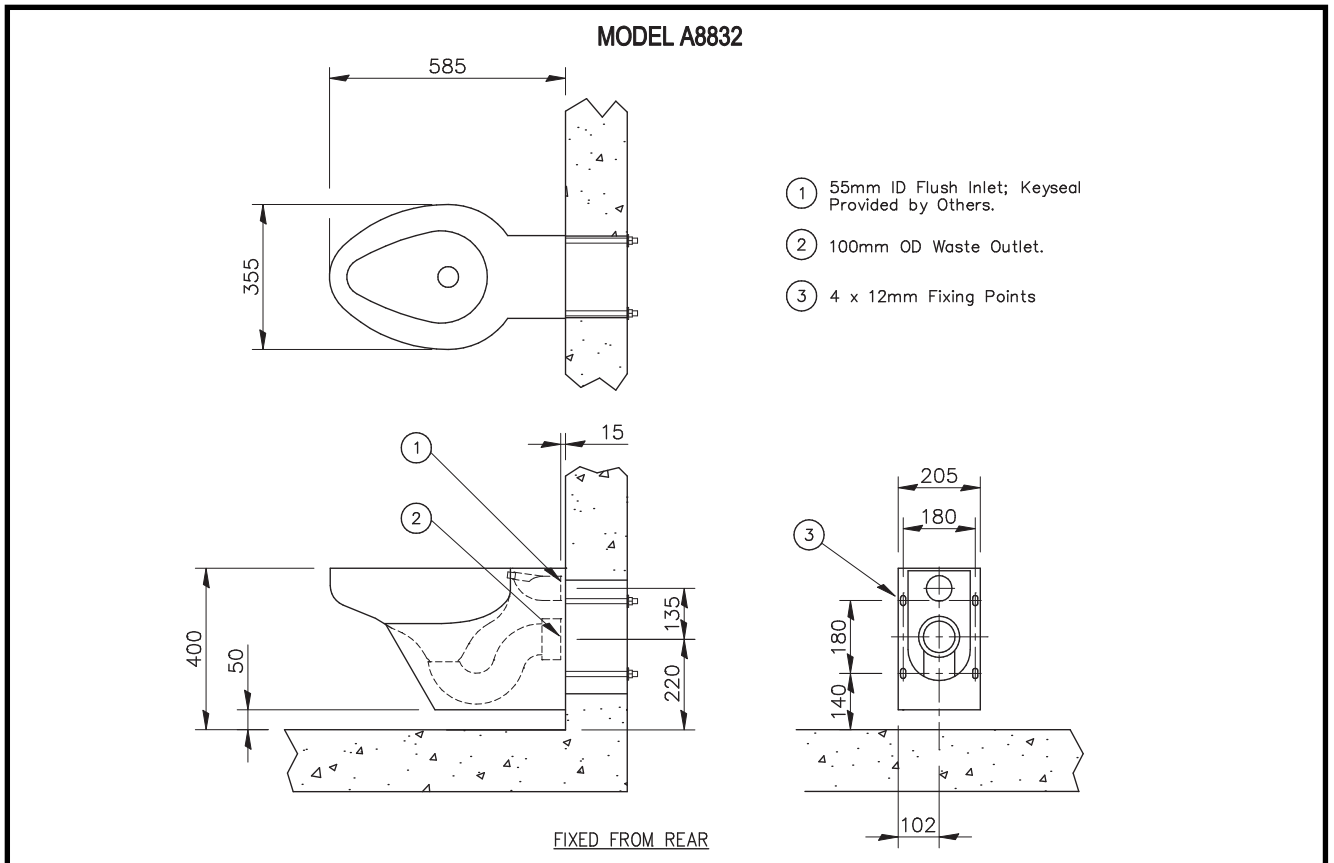
Fixings: Furnished with 4 x M12x250mm fixing rods

Options: To specify unit with fixing holes to suit hinged seat use suffix –PFS [ie A8832-PFS]. For hinged seat options, please contact RBA Group.

Installation

Ensure wall construction is capable of supporting the unit. Unit is mounted off the floor - pan rim typically 400mm above FFL. Unit is rear fixed and mounted to wall with 4 fixing rods through 4 fixing holes [2 on either side of the internal frame]. Suitable for installing with a concealed duct mounted cistern or flush valve [see RBA Group Flush Valve Catalog]. Refer Installation Instruction for location of fixing points, trap outlet location, etc.

Important: Installation instructions and current rough-in details should be furnished with each fixture. Do not rough in without certified dimensions. Dimensions are subject to manufacturer's tolerance of +/-10mm.



As improvements in the design and performance of RBA products are continuous, specifications may be subject to change without notice.