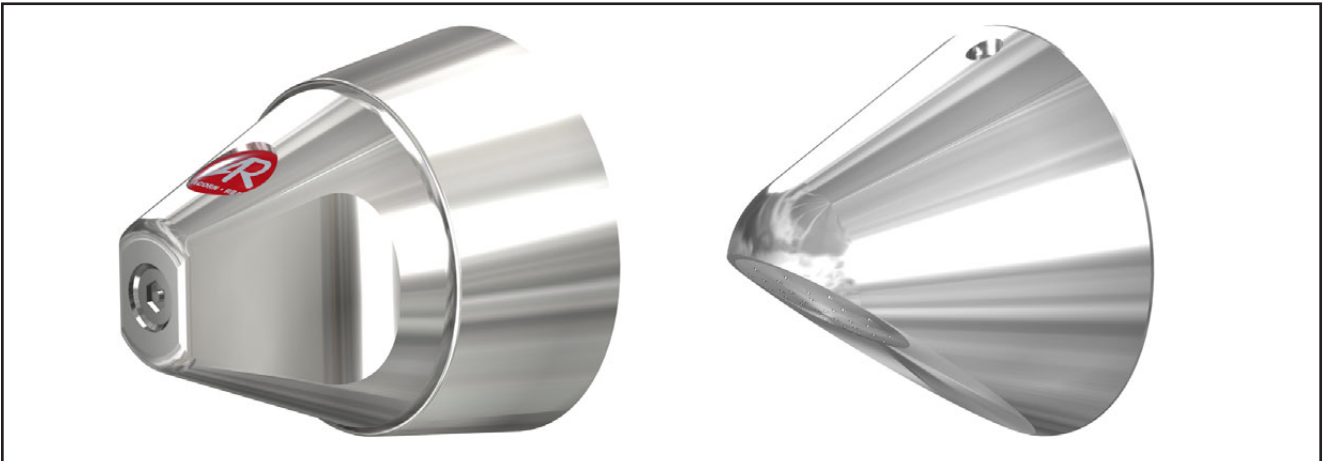


SECURITY SHOWERWARE



Description

The shower components consist of a conical shaped shower rose along with conical shaped handles in a high polished chrome finish. They are extremely heavy duty, for use in vandal prone locations. Additionally, the conical design provides suicide resistance when wall mounted. The conical handles incorporate ceramic disc SBA's for ease of operation. The shower rose flow rate is 7 Litres per minute.

Construction

The fittings are manufactured from solid brass with heavy polished chrome plating. SBAs include ceramic discs and the handles have hot & cold identification.

Options

Components can be specified as a shower set (dual temperature), or alternatively they can be specified separately:

A519-1 Shower set (Hot & Cold Handles, SBAs and Rose)

A519-2 Conical Rose only

A519-3 Conical Handle with SBA, Cold only

A519-4 Conical Handle with SBA, Hot only

May be converted to higher flow rate, if required.

Performance Standards

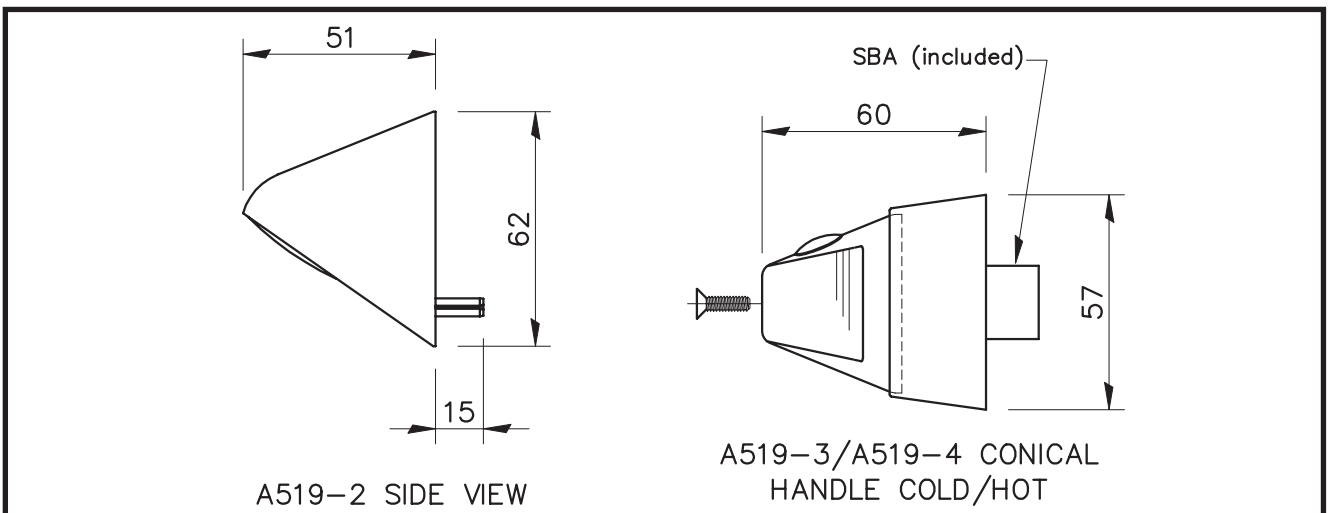
The SBAs carry "WATERMARK" certification from Standards Australia.



Installation

RBA conical handles can be fitted to any conventional recess cock body, and be installed in either masonry, timber framed walls or metal panels. Shower rose is fitted to 15mm BSP thread.

Important: Installation instructions and current rough-in details should be furnished with each fixture. Do not rough in without certified dimensions. Dimensions are subject to manufacturer's tolerance of +/-10mm.



As improvements in the design and performance of RBA products are continuous, specifications may be subject to change without notice.