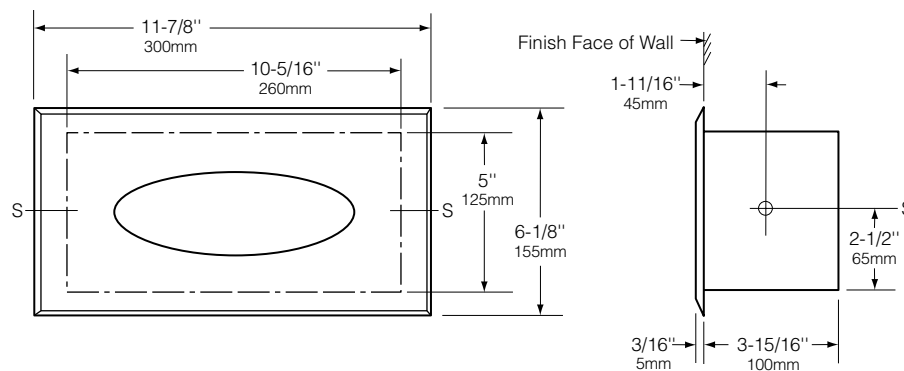
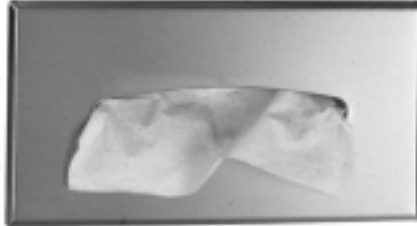




Technical Data

# RECESSED FACIAL TISSUE DISPENSER

# B-3551



<p><b>Rough Wall Opening</b>  10-3/4" (275mm) wide  5-1/4" (135mm) high  4" (102mm) minimum  recessed depth</p>
---

### MATERIALS:

**Cabinet** — Heavy-gauge galvanized steel. Capacity: one box of 300 two-ply facial tissues.

**Faceplate** — 18-8 S, type-304, 22-gauge (0.8mm) stainless steel with bright polished finish. Faceplate snaps off for filling cabinet.

### INSTALLATION:

Provide framed rough wall opening 10-3/4" wide x 5-1/4" high (275 x 135mm). Minimum recessed depth required from finish face of wall is 4" (102mm). Allow clearance for construction features that may protrude into opening from opposite wall. Coordinate with mechanical engineer to avoid pipes, vents, and conduits. Mount unit with shims between framing and cabinet at all points indicated by an S, then secure unit with sheet-metal screws (not furnished).

### SPECIFICATION:

Recessed facial tissue dispenser shall have type-304 stainless steel faceplate with bright polished finish. Unit shall hold one box of 300 two-ply facial tissues. Manufacturer's service and parts manual shall be provided to the building owner/manager upon completion of project.

**Recessed Facial Tissue Dispenser shall be Model B-3551 of Bobrick Washroom Equipment, Inc., Clifton Park, New York; Jackson, Tennessee; Los Angeles, California; Bobrick Washroom Equipment of Canada Ltd., Scarborough, Ontario; Bobrick Washroom Equipment Pty. Ltd., Australia; and Bobrick Washroom Equipment Limited, United Kingdom.**